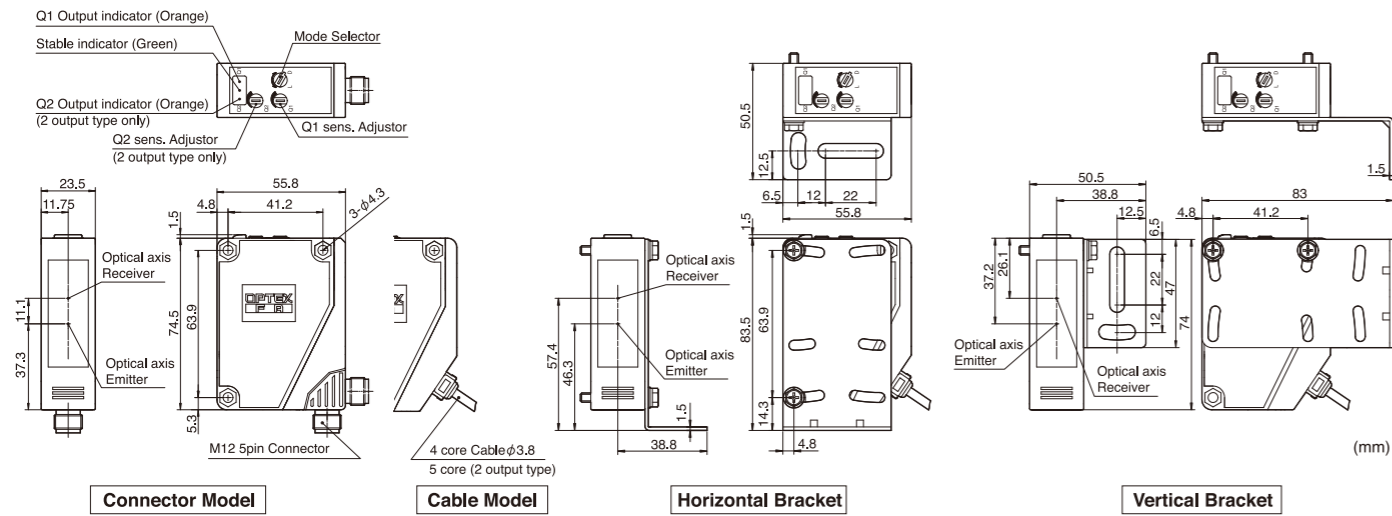




*FASTUS is a product brand of Optex FA.

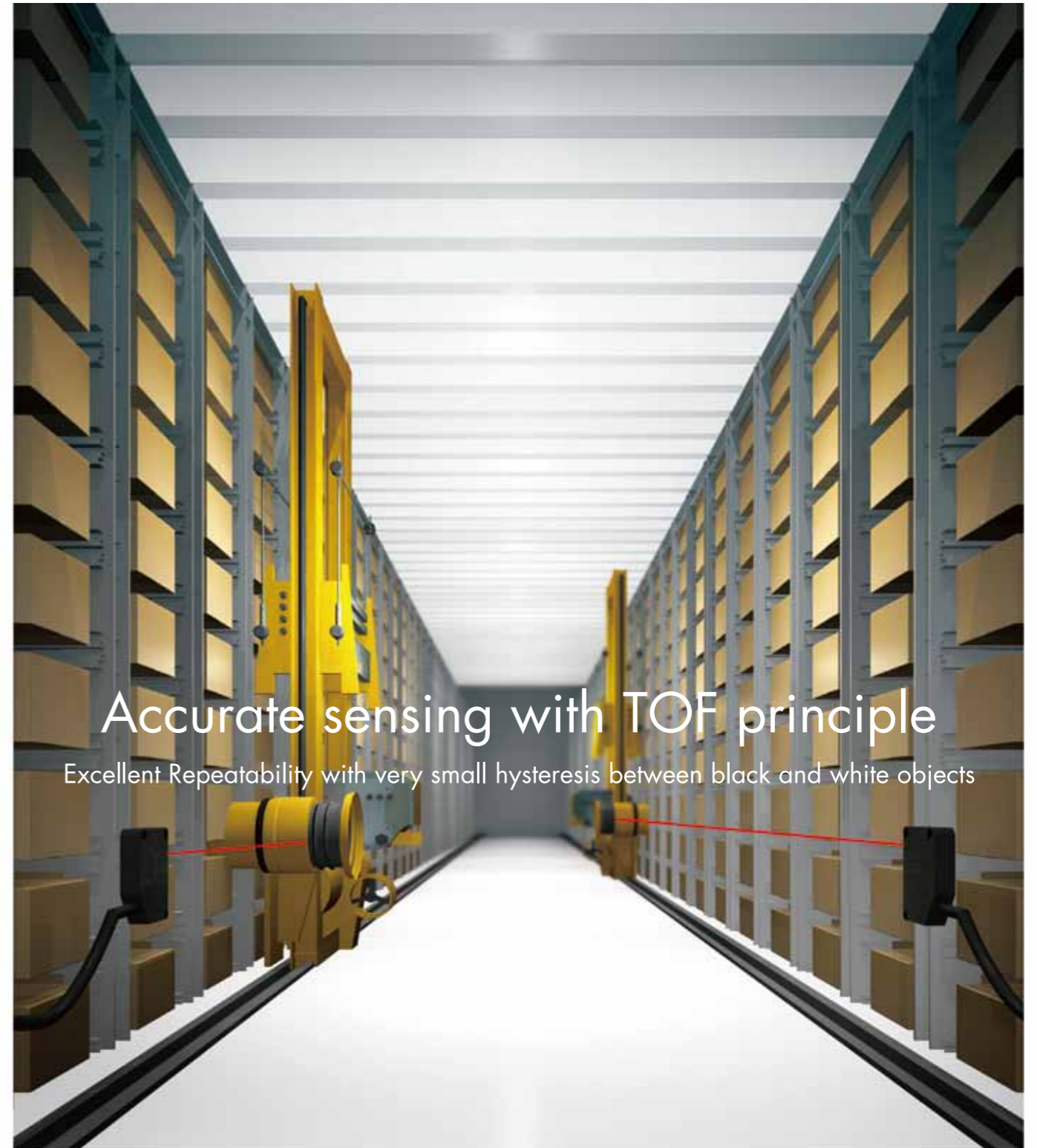
■ Dimensions



■ Specifications

Models		Diffuse Reflective	Retro Reflective
Cable	NPN	Output 1CH	TOF-3V300N1
		Output 2CH	TOF-3V300N
Connector	PNP	Output 1CH	TOF-3V300P1
		Output 2CH	TOF-3V300P
Cable	NPN	Output 1CH	TOF-3V300CN1
		Output 2CH	TOF-3V300CN
Connector	PNP	Output 1CH	TOF-3V300CP1
		Output 2CH	TOF-3V300CP
Objects		Opaque 6%... 90%	Reflector : V-61
Sensing distance		3000mm (90% white)	20m with Reflector V-61
Light source		Red laser λ=650nm (class1)	
Spot size		φ12mm@3m	φ50mm@20m
Optical angle deviation		0.5°(9mrad) or less	
Hysteresis		15% Max : 300... 1500mm / 6% Max:1500... 3000mm	10% Max : 1... 4m / 3% Max:4... 20m
Resolution		2mm	10mm
Response time		0.5ms	2ms
Operating mode		Light ON/ Dark ON selectable	
Environmental illuminance		Sunlight : 4,000lx, Incandescent lamp : 3,000lx @1m	
Indicator		Output indicator: Orange x 2 (2 output type), Stable output: Green	
Sensitivity adjustment		4-turn Potentiometer	12-turn Potentiometer.
External input		Laser OFF	
Crosstalk prevention		2pcs Max.	
Supply voltage		DC10 - 30V ±10%, 70mA max.	
Circuit protection		Reverse Polarity, Over current	
Control output		2x NPN/PNP, Open collector, 30V/100mA, (Residual voltage 1.8V max.)	
Connection (cable)		φ3.8 2m cable 5 cores (2 output type), 4cores (1 output type)	
Connection (M12 connector)		M12, 5pin (DOL-1205-G02M-R / DOL-1205-G05M-R)	
EMC		EN60497-5-2	
Feilen anti-noise test		level 4	
Warm-up time		300ms	
Internal short circuit		according to VDE 160	
Plastic materials		ABS/PMMA	
Protection category		IP67	
Vibration resistance		10...55Hz	
Shock resistance		500m/s ² (50G)	
UL		CUL	
CE		EMC directive	
Operating temp. humidity		-10... +50°C, 35...85%	
Storage temp. humidity		-40... +70°C, 35...95%	
Temperature drift		±1% max.	
Laser class		FDA: Class I JIS/IEC: Class1	

- Specifications are subject to change without prior notice.
- Specifications and technical information not mentioned here are written in Instruction Manual. Or visit our website for details.
- All the warnings and cautions to know prior to use are given in Instruction Manual.



Accurate sensing with TOF principle

Excellent Repeatability with very small hysteresis between black and white objects

OPTEX FA CO., LTD

600-8815 Kyoto, Shimogyo, Chudoji Awata 91, Japan
 TEL. +81-(0)75-325-2920 FAX. +81-(0)75-325-2921
<http://www.optex-fa.com>

78005-00-QL1307

OPTEX FA CO., LTD.

