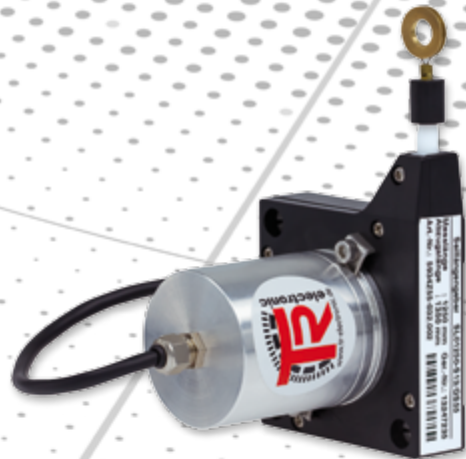


# Wire Actuated Encoders

## Overview



---

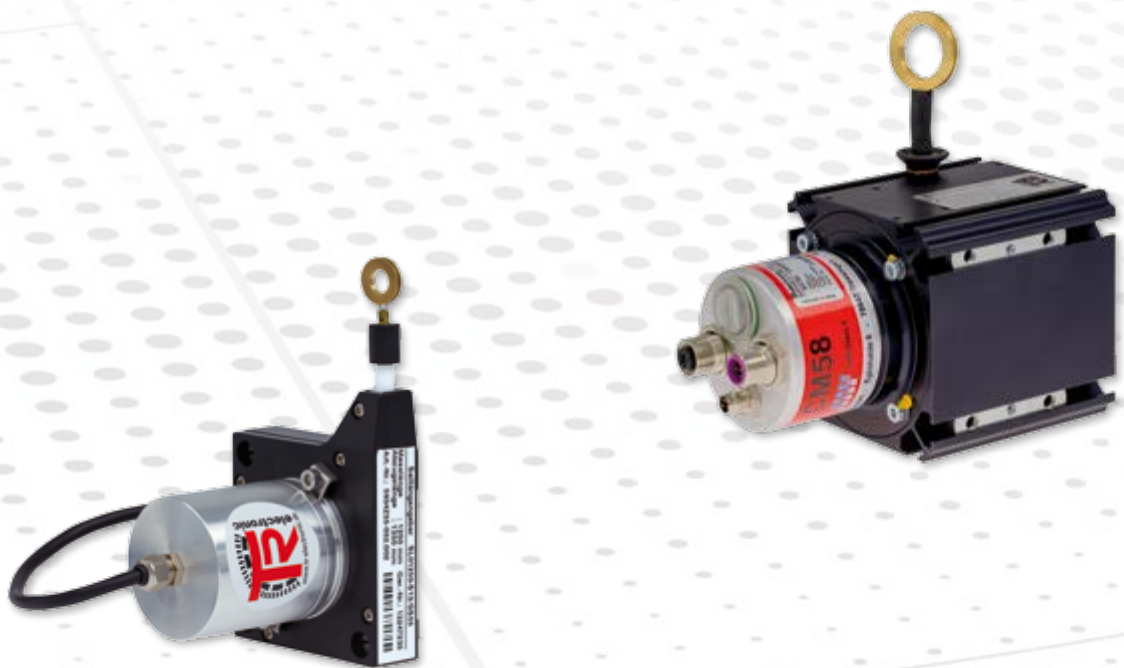
## Wire actuated encoders



### Wire actuated encoders with absolute rotary encoders or incremental rotary encoders

Wire-actuated encoders from TR-Electronic are the universally applicable, efficient and safe solution for recording linear movements in the warehousing and logistics sector, for example, as well as in stage technology and many other applications. Their fundamental advantage lies in the particularly compact installation space: The wire on the measuring drum is only unwound when movement takes place, while the measuring range remains free until unwinding.

Wire draw encoders by TR-Electronic are equipped with absolute or incremental rotary encoders and fit the specific encoder series perfectly. Three classes fulfill specific needs for different mechanical loads, duty cycle, lifetime, resolution resp. reproducibility. We combine the big variety of interfaces of our absolute and incremental encoders with the different solutions to measure linear movements to fit exactly into your application.



---

## Content

Application classes .....	4
Standard .....	5
Basic .....	5
Industrial .....	7

## Wire actuated encoders



### Linear Position measurement with rotary encoders

Wire actuated encoders by TR-Electronic are equipped with absolute or incremental rotary encoders and fit the specific encoder series perfectly.

Three classes fulfill specific needs for different mechanical loads, duty cycle, lifetime, resolution resp. reproducibility.

#### Industrial

The SL30 is designed for many years of use with a high activity rate. With a big number of options, the system can be

adapted to many applications. Those wire draw mechanics are available as well approved for applications in explosive atmospheres.

#### Standard

The WDS is suitable for normal automation tasks.

#### Basic

The WPS are cost-effective products for simple measuring applications with lower accuracy requirements. In terms of precision it is compatible with our rotary encoders with magnetic scanning.

---

## Content

Products.....	243
Suggested Products.....	247
Dimensional Drawing .....	249

# Application: Basic

# Application: Standard

Product	WPS Size 88 mm	SL00 Size 55 mm	SL00 Size 80 mm
			
Application	Basic	Standard	Standard
Available measurement lengths (m)	2,3; 5	1,25	3
Suits Encoder series	58	36	58
Diameter measurement wire	0,45 mm	0,45 mm	0,55 mm
Measurement wire made from	stainless Steel, covered with Polyamide	stainless Steel, 1.4401	stainless Steel, 1.4401
Housing of drum	Plastic, PA 6 GF 30	Kunststoff, Noryl	Kunststoff, Noryl
Housing of Spring			
Ratio	238,8 mm/turn. (typ.)	150 mm/turn (typ.)	230 mm/turn (typ.)
Options available			
Protection Class	IP65	IP50	IP50
ATEX Zone			
Interface	<b>Analog</b>	<b>SSI</b>  <b>Analog</b> <b>CANopen</b> <b>INC</b>	<b>SSI</b>  <b>Analog</b> <b>CANopen</b> <b>INC</b>
Option, additional interfaces (on request)			
Weblink	<a href="http://www.tr-electronic.com/s/S006900">www.tr-electronic.com/s/S006900</a>	<a href="http://www.tr-electronic.com/s/S006899">www.tr-electronic.com/s/S006899</a>	<a href="http://www.tr-electronic.com/s/S006900">www.tr-electronic.com/s/S006900</a>
QR-Code			

Can't find the right variant? Please contact us ([info@tr-electronic.de](mailto:info@tr-electronic.de))

# Application: Standard

Product	SL00 Size 130 mm	WDS Size 60 mm	WDS Size 96 mm	
				
Application	Standard	Standard	Standard	
Available measurement lengths (m)	5	1,6	2, 3	
Suits Encoder series	58	58	58	
Diameter measurement wire	0,55 mm	0,45 mm	0,80 mm	
Measurement wire made from	stainless Steel, 1.4401	stainless Steel, covered with Polyamide	stainless Steel, covered with Polyamide	
Housing of drum	Kunststoff, Noryl	Aluminium eloxiert	Aluminium eloxiert	
Housing of Spring				
Ratio	385 mm/turn (typ.)	150,12 mm/turn (typ.)	260,2 mm/turn (typ.)	
Options available		single or double deflection pulleys	single or double deflection pulleys	
Protection Class	IP50	IP65	IP65	
ATEX Zone				
Interface	<p><b>SSI</b> </p> <p><b>Analog</b> </p> <p><b>INC</b></p>	<p><b>SSI</b> </p> <p><b>Analog</b> </p> <p><b>INC</b></p>	<p><b>SSI</b> </p> <p><b>Analog</b> </p> <p><b>Parallel</b> </p> <p></p> <p><b>INC</b> </p> <p> </p>	
Option, additional interfaces (on request)			<b>SSI</b> <b>Analog</b>	
Weblink	<a href="http://www.tr-electronic.com/s/S006901">www.tr-electronic.com/s/S006901</a>	<a href="http://www.tr-electronic.com/s/S006902">www.tr-electronic.com/s/S006902</a>	<a href="http://www.tr-electronic.com/s/S006903">www.tr-electronic.com/s/S006903</a>	
QR-Code				





# Application: Standard

# Application: Industrial

WDS Size 115 mm	WDS Size 200 mm	SL30 Size 80 mm	SL30 Size 130 mm
Standard	Standard	Industrial	Industrial
5; 7; 10; 15	30	2; 3	10; 15
58 65 75	58 65 75	58 65 75 81 84	58 65 75 81 84
1,00 mm	0,80 mm	1,35 mm	0,81 mm
stainless Steel, covered with Polyamide	Edelstahl, Polyamid ummantelt	Edelstahl, 1.4401	Edelstahl, 1.4401
Aluminium eloxiert	Aluminium eloxiert	Aluminium eloxiert	Aluminium eloxiert
			Plastic
315,23 mm/turn (typ.)	500,21 mm/turn (typ.)	200 mm/turn (typ.)	333,21 mm/turn (typ.)
single or double deflection pulleys	single or double deflection pulleys	-30...+80 °C, wire brush, different deflection pulleys, bellow, fixed ball joint	-30...+80 °C, wire brush, different deflection pulleys, bellow, fixed ball joint
IP65	IP65	IP65	IP65
<p><b>SSI</b>      <b>CANopen</b></p> <p><b>Analog</b>      </p> <p><b>Parallel</b>      </p> <p><b>Nocken</b>      </p> <p>      </p> <p><b>INC</b>      </p> <p>      <b>sercos</b> the automation bus</p>	<p><b>SSI</b>      <b>CANopen</b></p> <p><b>Analog</b>      </p> <p><b>Parallel</b>      </p> <p><b>Nocken</b>      </p> <p>      </p> <p><b>INC</b>      </p> <p>      <b>sercos</b> the automation bus</p>	<p><b>SSI</b>      <b>CANopen</b></p> <p><b>Analog</b>      </p> <p><b>Parallel</b>      </p> <p><b>Nocken</b>      </p> <p>      </p> <p><b>INC</b>      </p> <p>      <b>sercos</b> the automation bus</p>	<p><b>SSI</b>      <b>CANopen</b></p> <p><b>Analog</b>      </p> <p><b>Parallel</b>      </p> <p><b>Nocken</b>      </p> <p>      </p> <p><b>INC</b>      </p> <p>      <b>sercos</b> the automation bus</p>
<b>SSI</b> <b>Analog</b>	<b>SSI</b> <b>Analog</b>	<b>SSI</b> <b>Analog</b>	<b>SSI</b> <b>Analog</b>
<a href="http://www.tr-electronic.com/s/S006904">www.tr-electronic.com/s/S006904</a>	<a href="http://www.tr-electronic.com/s/S006905">www.tr-electronic.com/s/S006905</a>	<a href="http://www.tr-electronic.com/s/S006906">www.tr-electronic.com/s/S006906</a>	<a href="http://www.tr-electronic.com/s/S006907">www.tr-electronic.com/s/S006907</a>

Can't find the right variant? Please contact us (info@tr-electronic.de)

## Application: Industrial

Product	SL30 Size 190 mm 	SL30 ATEX Size 80 mm 
Application	Industrial	Industrial ATEX
Available measurement lengths (m)	40; 50	2; 3
Suits Encoder series	58 65 75 81 84	58 65 70 75 115
Diameter measurement wire	1,35 mm	1,35 mm
Measurement wire made from	Edelstahl, 1.4401	Edelstahl, 1.4401
Housing of drum	Aluminium eloxiert	Aluminium eloxiert
Housing of Spring	Plastic	Plastic
Ratio	491,5 mm/turn (typ.)	200 mm/turn (typ.)
Options available	-30...+80 °C, wire brush, different deflection pulleys, bellow, fixed ball joint	-30...+80 °C, wire brush, different deflection pulleys, bellow, fixed ball joint
Protection Class	IP65	IP65
ATEX Zone		2
Interface	<p><b>SSI</b>      <b>CANopen</b></p> <p><b>Analog</b>      <b>DeviceNet</b></p> <p><b>Parallel</b>      <b>PROFIBUS</b></p> <p><b>Nocken</b>      <b>EtherCAT</b></p> <p><b>DRIVE-CLIQ</b>      <b>EtherNet/IP</b></p> <p><b>INC</b>      <b>ETHERNET POWERLINK</b></p> <p><b>PROFIBUS</b>      <b>SERCOS</b> the automation bus</p>	<p><b>SSI</b>      <b>PROFIBUS</b></p> <p><b>Analog</b>      <b>CANopen</b></p> <p><b>Parallel</b>      <b>DeviceNet</b></p> <p><b>INC</b>      <b>PROFIBUS</b></p>
Option, additional interfaces (on request)	<b>SSI</b> <b>Analog</b>	
Weblink	<a href="http://www.tr-electronic.com/s/S006908">www.tr-electronic.com/s/S006908</a>	<a href="http://www.tr-electronic.com/s/S006909">www.tr-electronic.com/s/S006909</a>
QR-Code		



## Suggested Products

Order code	Name	Measurement range	Interface	Remark
<b>Basic WPS Size 88mm</b>				
CMW58M-00048	CMW58M*4096/256 V000 ANALOG*ME5M „KIT“	5,00 m	ANALOG CURRENT	
<b>Standard SL00 Size 55mm</b>				
CMW36M-00001	CMW36M*4096/4096 SSI SL55 1,25M	1,25 m	SSI	
<b>Standard SL00 Size 80mm</b>				
CMW58M-00055	CMW58M*4096/4096 SSI SL80 3M	3,00 m	SSI	
<b>Standard SL00 Size 130mm</b>				
CMW58M-00056	CMW58M*4096/4096 SSI SL130 5M	5,00 m	SSI	
<b>Standard WDS Size 85mm</b>				
CMW58M-00008	CMW58M*4096/4096 V000 SSI SLG*ME2,5M	2,50 m	SSI	
CMW58M-00009	CMW58M*4096/4096 PBS-DP SLG/ME2,5M	2,50 m	PROFIBUS DP	
<b>Standard WDS Size 115mm</b>				
CMW58M-00002	CMW58M*4096/4096 PBS-DP SLG/ME5M	5,00 m	PROFIBUS DP	
CMW58M-00017	CMW58M*4096/4096 V000 SSI SLG/ME5M	5,00 m	SSI	
CMW58M-00041	CMW58M*2048/4096 V000 CAN/OPEN ME 0-5M	5,00 m	CAN/OPEN	
CMW58M-00068	CMW58M*4096/4096 SSI ME5M+ULR	5,00 m	SSI	with single pulley
CMW58M-00076	CMW58M*4096/4096 PB SLG/ME5M DUR00	5,00 m	PROFIBUS DP	with double pulley
CMW58M-00077	CMW58M*4096/4096 PB SLG/ME5M DUR90	5,00 m	PROFIBUS DP	with double pulley, 90°
<b>Industrial SL30 Size 80mm</b>				
CEW58M-00020	CEW58M*4096/4096 V000 PROFIBUS *SL3002	2,00 m	PROFIBUS DP	
CEW58M-00132	CEW58M*8192/4096 V000 SSI SL3002	2,00 m	SSI	
CEW58M-00215	CEW58M*4096/4096 EIP SL3002	2,00 m	ETHERNET IP	
CEW58M-00219	CEW58M*8192/4096 V000 PROFINET *SL3002	2,00 m	PROFINET IO	
CEW58M-00221	CEW58M*8192/4096 V000 ETHERCAT *SL3002	2,00 m	EtherCAT	
CEW58M-00127	CEW58M*8192/4096 V000 PROFIBUS *SL3003	3,00 m	PROFIBUS DP	
CEW58M-00140	CEW58M*8192/4096 V000 SSI SL3003	3,00 m	SSI	
CEW58M-00171	CEW58M*8192/4096 V000 ETHERCAT *SL3003	3,00 m	EtherCAT	
CEW58M-00232	CEW58M*8192/4096 PROFINET *SL3003	3,00 m	PROFINET IO	
CEW58M-00241	CEW58M*8192/4096 EIP SL3003	3,00 m	ETHERNET IP	

For further product information simply enter the order number in the search field at [www.tr-electronic.de](http://www.tr-electronic.de).

## Suggested Products

Order code	Name	Measurement range	Interface	Remark
<b>Industrial SL30 Size 130mm</b>				
CEW58M-00019	CEW58M*8192/4096 V000 SSI SL3005	5,00 m	SSI	
CEW58M-00134	CEW58M*8192/4096 V000 PROFIBUS *SL3005	5,00 m	PROFIBUS DP	
CEW58M-00156	CEW58M*8192/4096 V000 ETHERCAT *SL3005	5,00 m	EtherCAT	
CEW58M-00225	CEW58M*8192/8192 V000 PROFINET *SL3005	5,00 m	PROFINET IO	
CEW58M-00242	CEW58M*8192/4096 EIP SL3005	5,00 m	ETHERNET IP	
CEW58M-00029	CEW58M*8192/4096 V000 PROFIBUS *SL3010	10,00 m	PROFIBUS DP	
CEW58M-00141	CEW58M*8192/4096 V000 ETHERCAT *SL3010	10,00 m	EtherCAT	
CEW58M-00229	CEW58M*8192/4096 V000 SSI SL3010	10,00 m	SSI	
CEW58M-00239	CEW58M*8192/4096 EPN *SL3010	10,00 m	PROFINET IO	
CEW58M-00008	CEW58M*8192/4096 V000 PROFIBUS *SL3015	15,00 m	PROFIBUS DP	
CEW58M-00065	CEW58M*8192/4096 V000 SSI SL3015	15,00 m	SSI	
CEW58M-00228	CEW58M*8192/4096 EPN SL3015	15,00 m	PROFINET IO	
CEW58M-00256	CEW58M*8192/4096 EIP SL3015	15,00 m	ETHERNET IP	
CEW58M-00022	CEW58M*4096/4096 V000 PROFIBUS *SL3020	20,00 m	PROFIBUS DP	
CEW58M-00148	CEW58M*8192/4096 V000 SSI SL3020	20,00 m	SSI	
CEW58M-00092	CEW58M*8192/4096 V000 PROFIBUS *SL3025	25,00 m	PROFIBUS DP	
CEW58M-00231	CEW58M*8192/4096 V000 SSI SL3025	25,00 m	SSI	
CEW58M-00068	CEW58M*4096/4096 V000 SSI SL3030	30,00 m	SSI	
<b>Industrial SL30 Size 190mm</b>				
CEW58M-00115	CEW58M*4096/4096 V000 PROFIBUS *SL3050	50,00 m	PROFIBUS DP	

### Further product information

1. Enter order code into ...



2. Searchfield (top right) on [www.tr-electronic.com](http://www.tr-electronic.com)



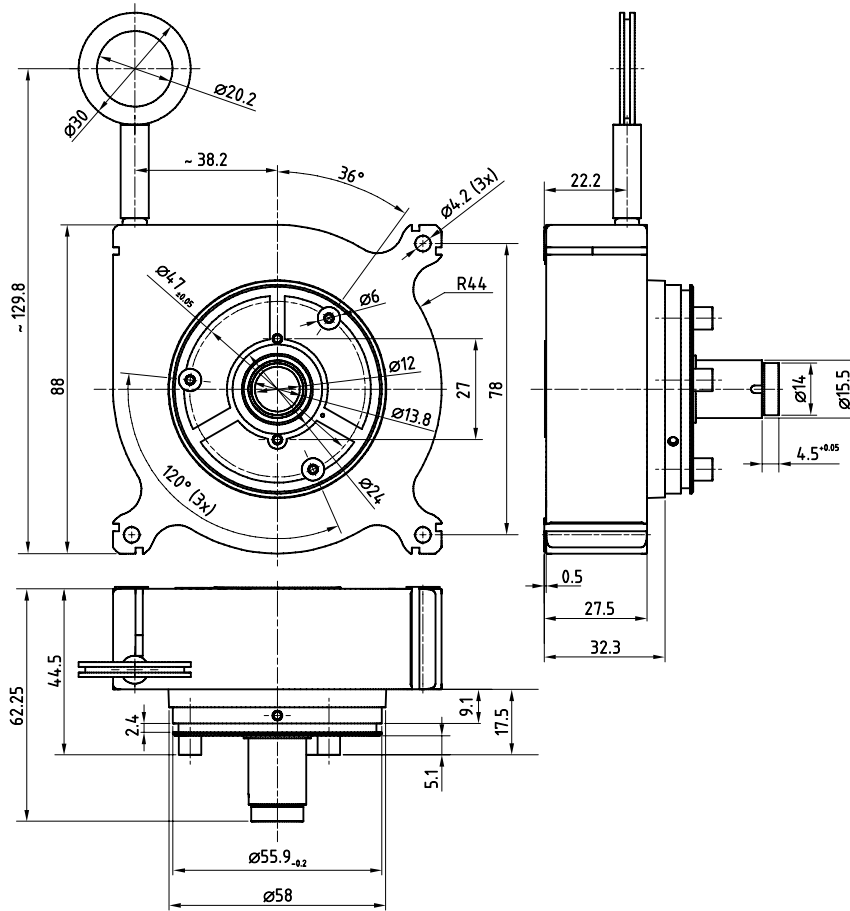
3. Choose desired information



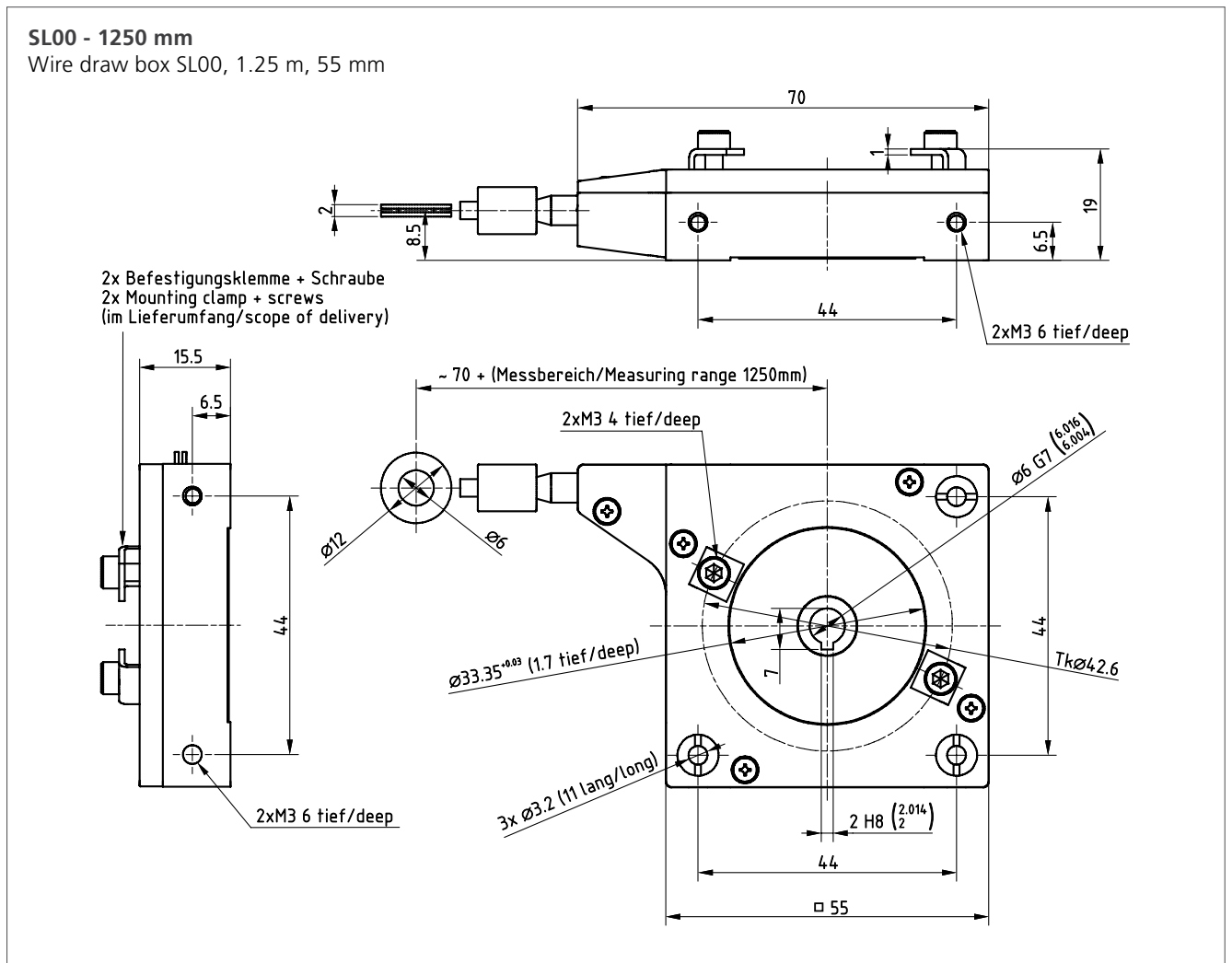
We will help you to select the most suitable products from the complete TR range. Please contact us ([info@tr-electronic.de](mailto:info@tr-electronic.de)).

# Dimensional Drawings

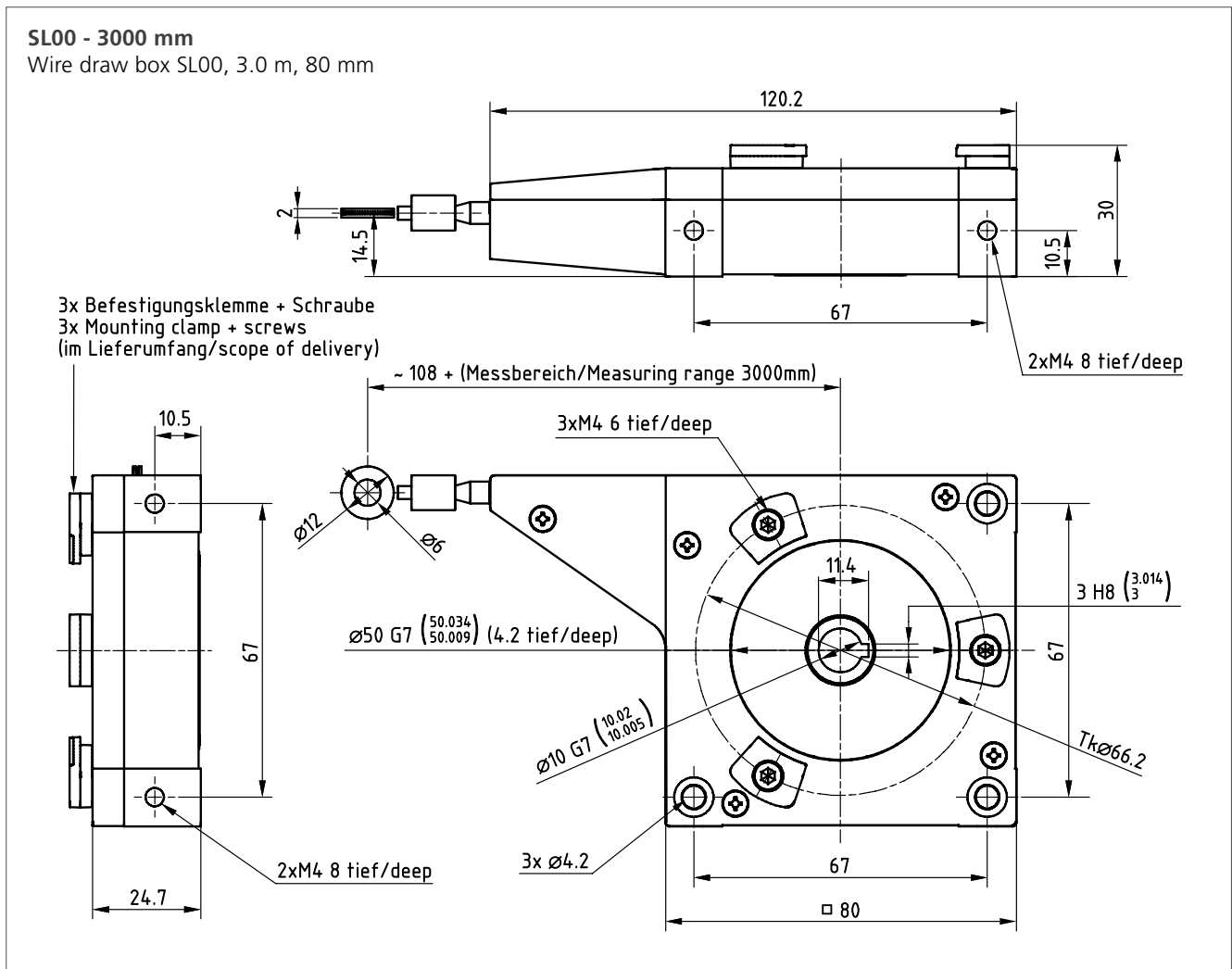
**WPS - 5000 mm**  
Wire draw box WPS-5000-mK88, 5.0 m, 88 mm



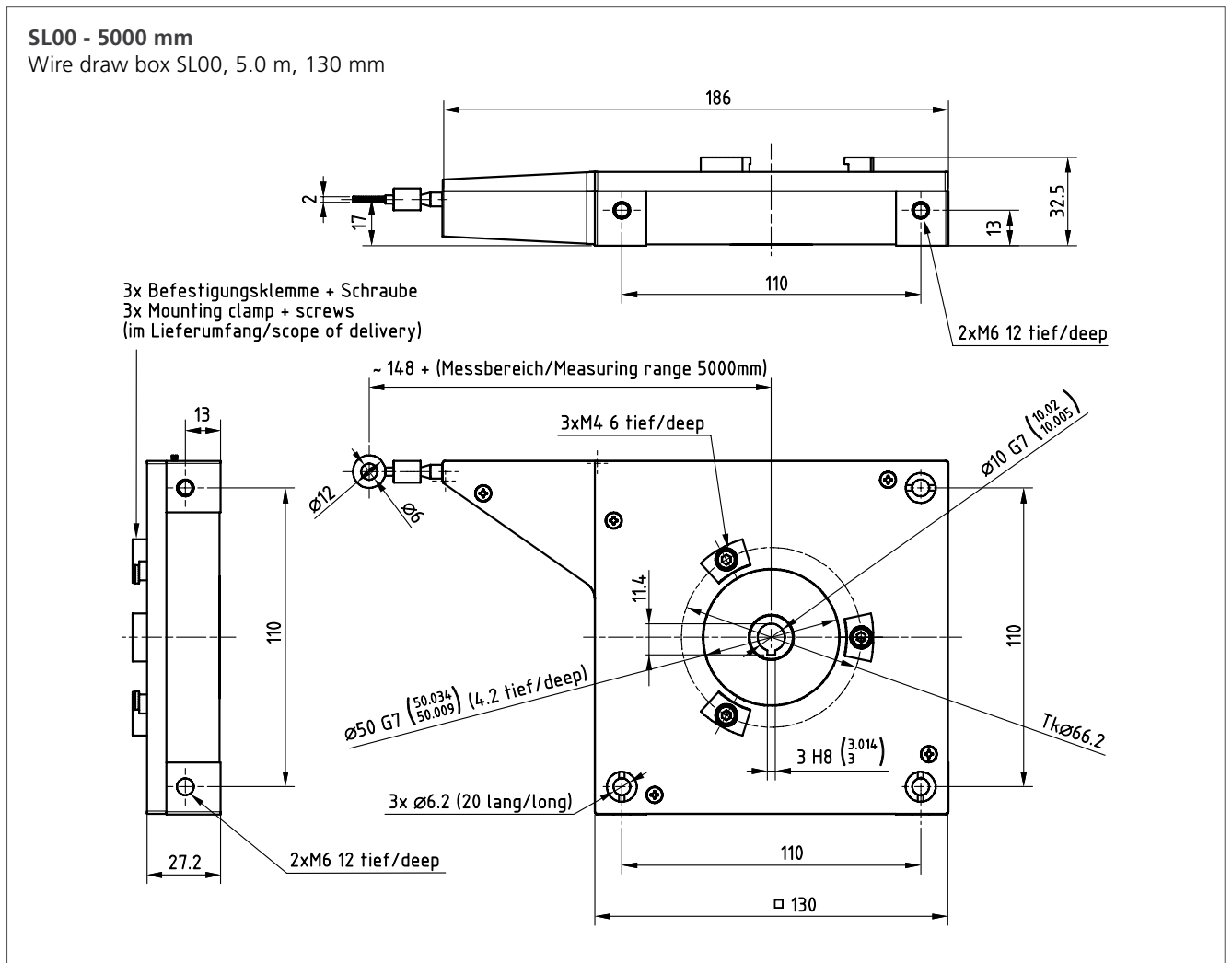
# Dimensional Drawings



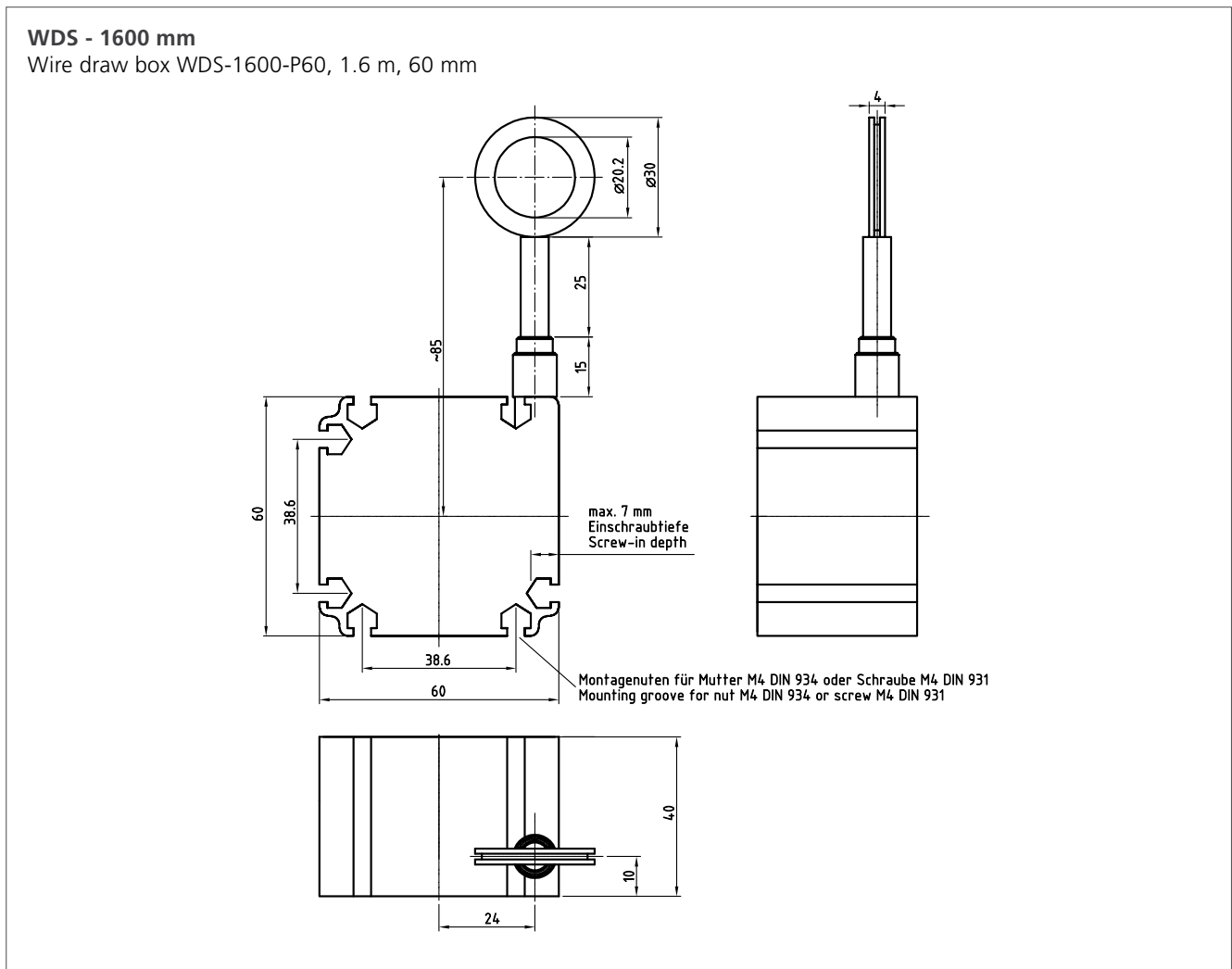
# Dimensional Drawings



# Dimensional Drawings



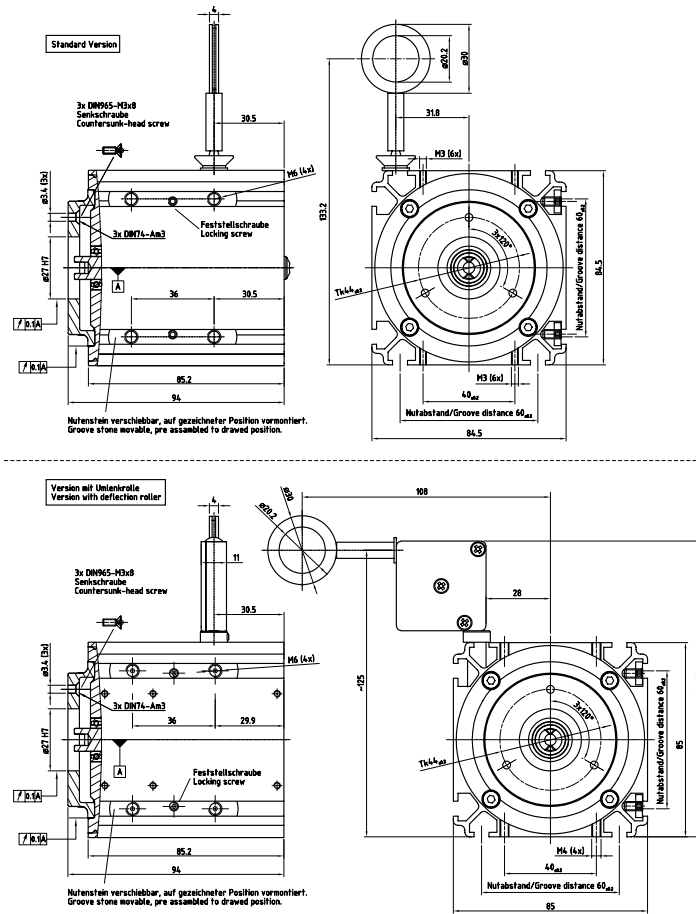
# Dimensional Drawings



# Dimensional Drawings

## WDS - 2500 mm

Wire draw box WDS-2500-P85, 2.5 m, 85 mm

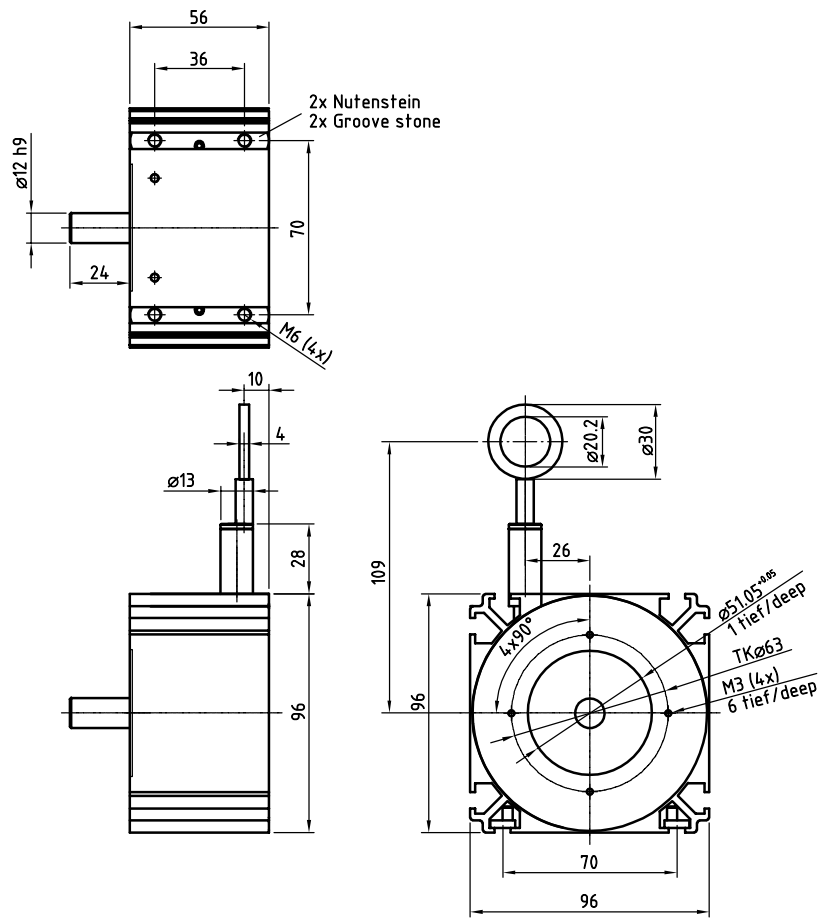




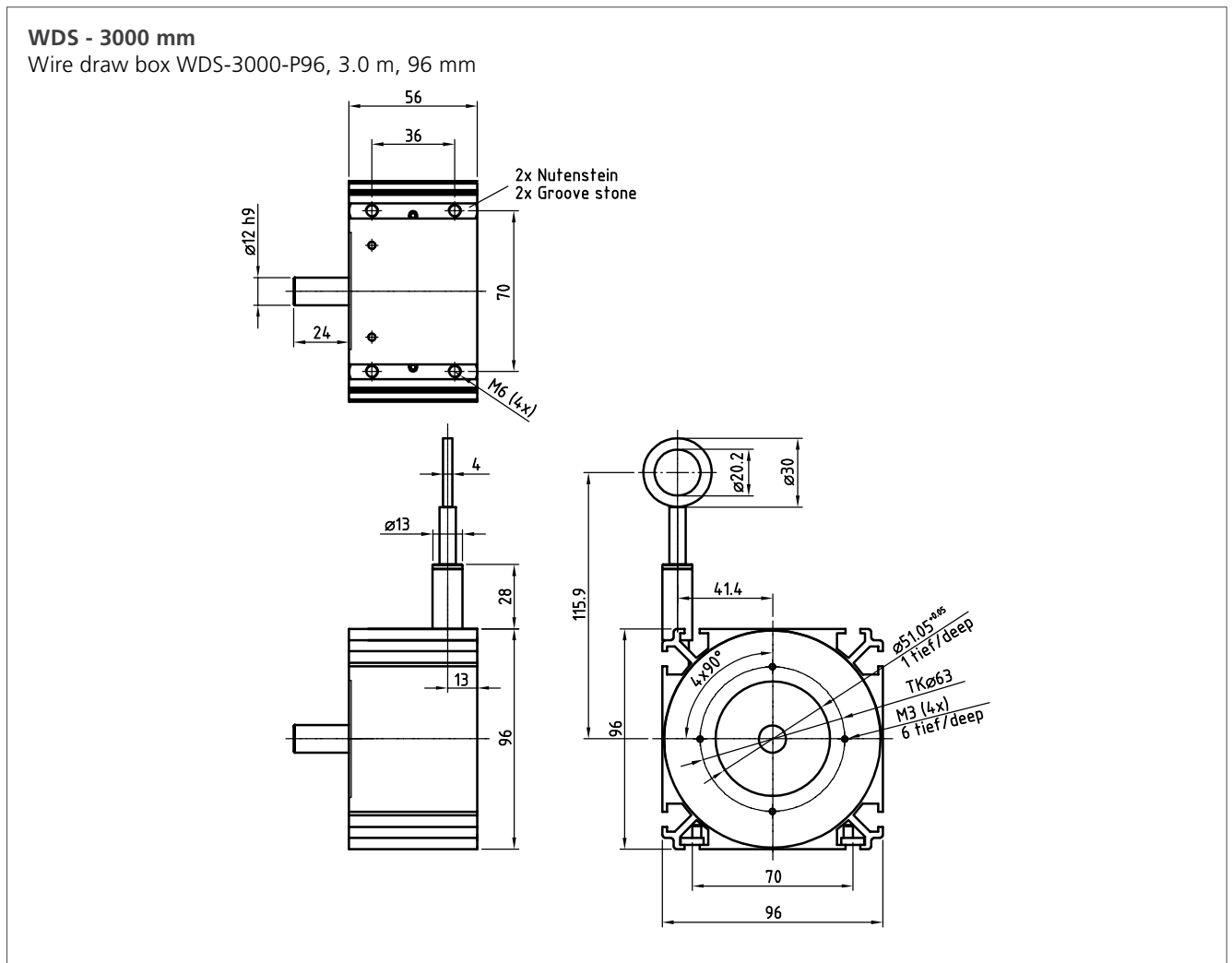
# Dimensional Drawings

## WDS - 2000 mm

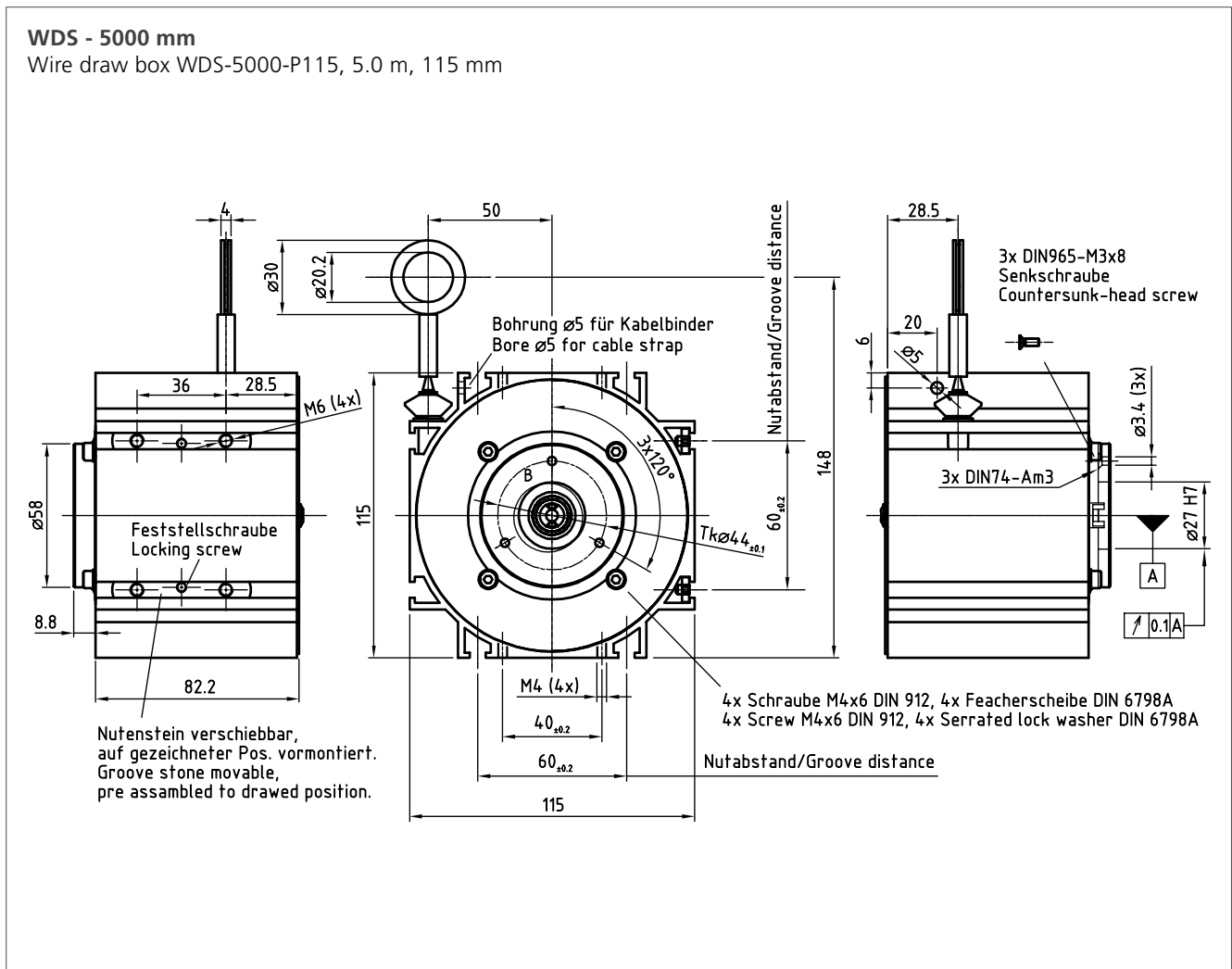
Wire draw box WDS-2000-P96, 2.0 m, 96 mm



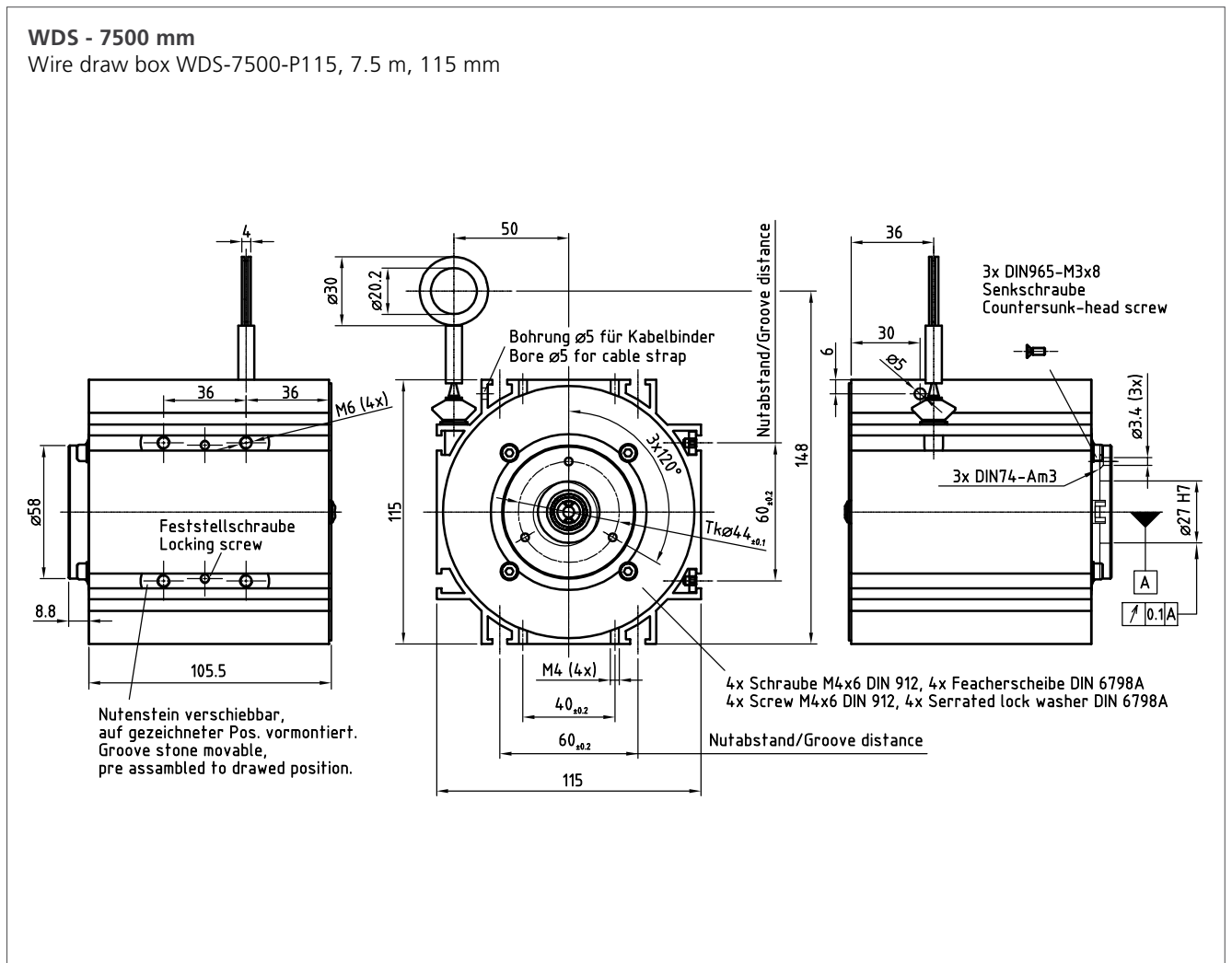
## Dimensional Drawings



# Dimensional Drawings



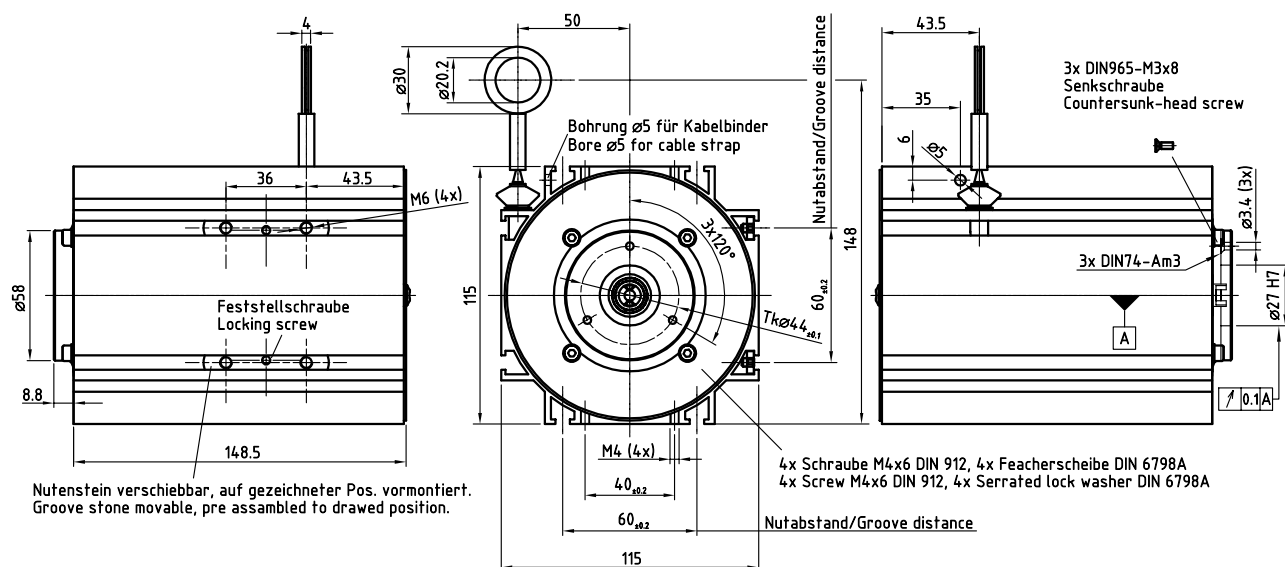
## Dimensional Drawings



# Dimensional Drawings

## WDS - 10000 mm

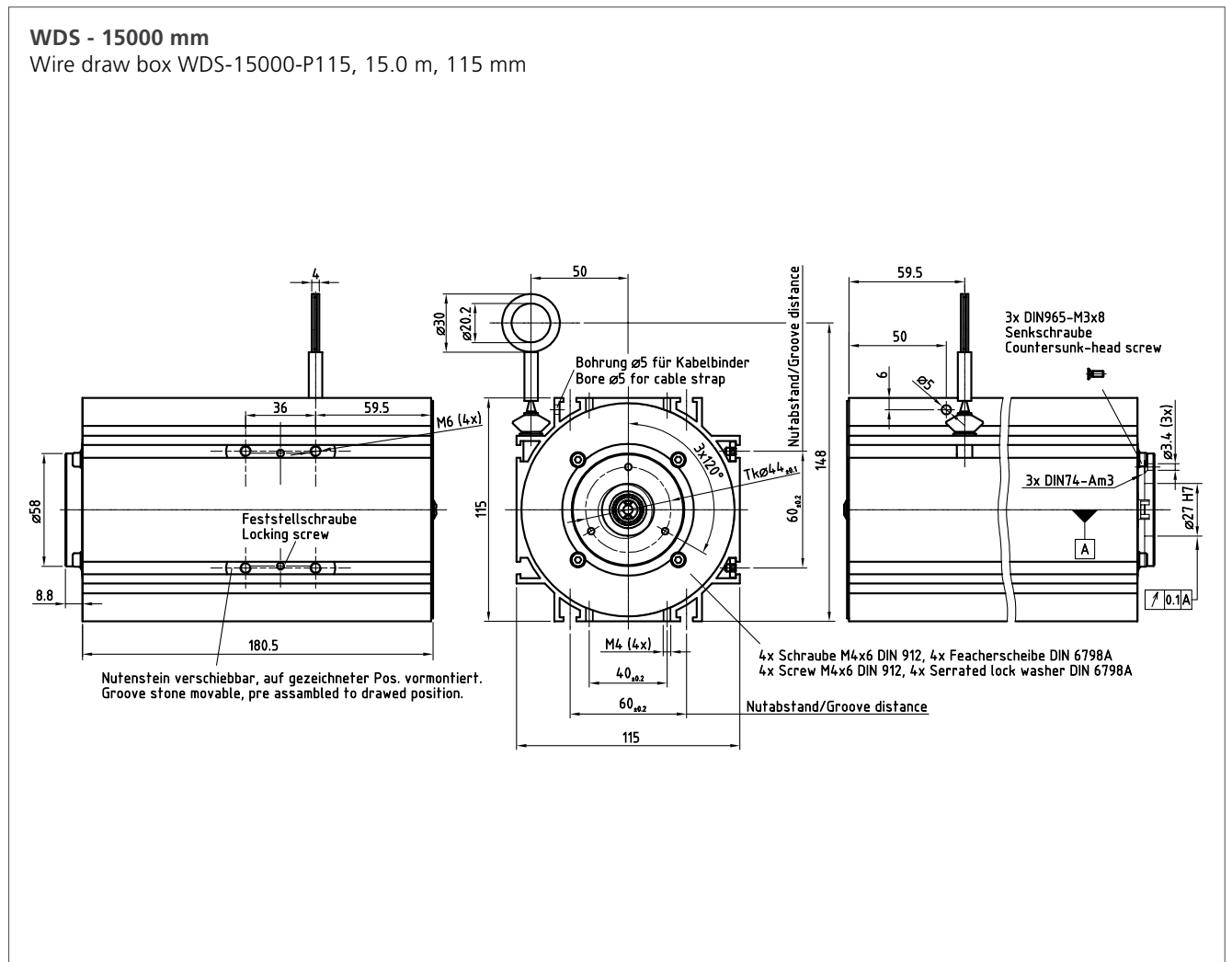
Wire draw box WDS-10000-P115, 10.0 m, 115 mm



## Dimensional Drawings

### WDS - 15000 mm

Wire draw box WDS-15000-P115, 15.0 m, 115 mm



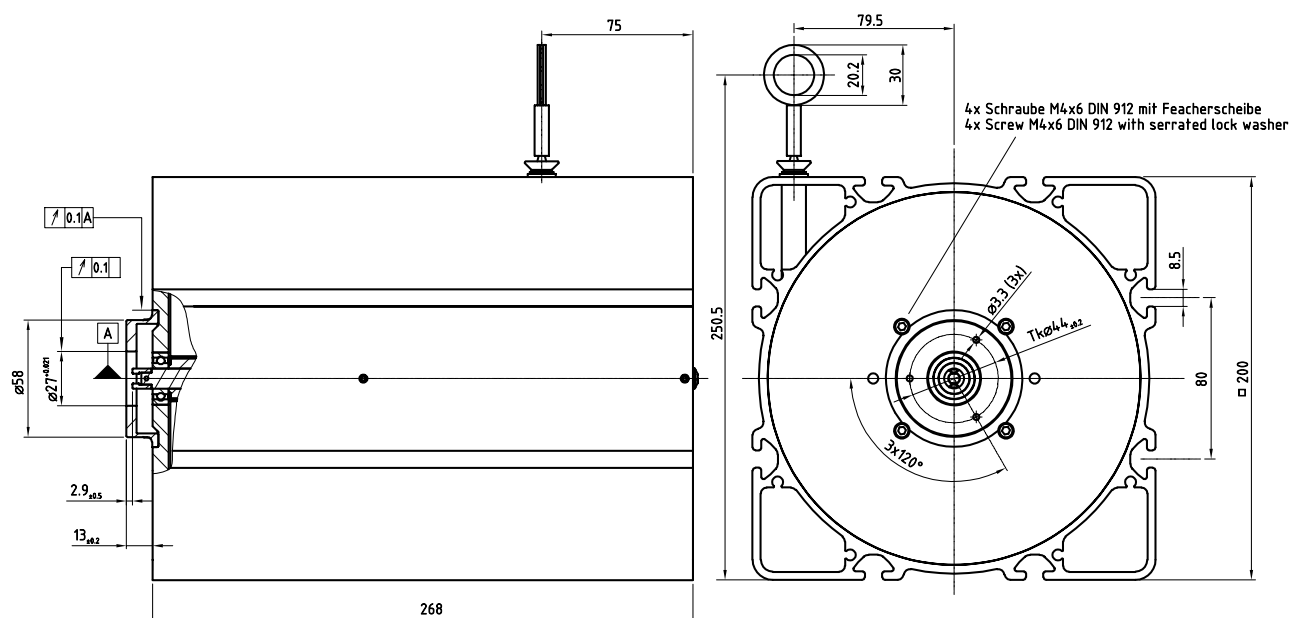
Shown is only wire draw box without encoder

Illustrations are schematic diagrams. Binding dimension drawings and CAD data for specific order numbers at [www.tr-electronic.com](http://www.tr-electronic.com) or on request.

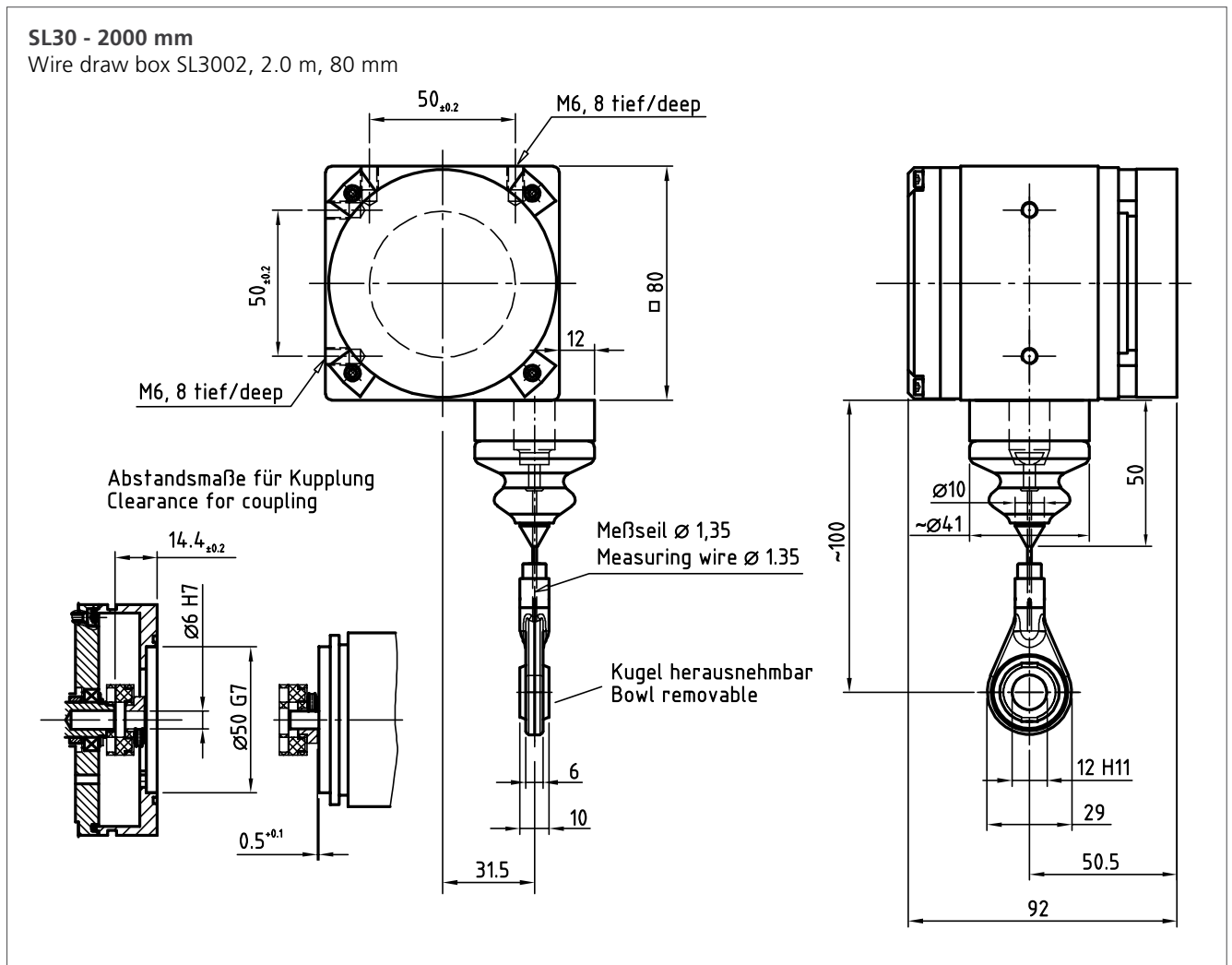
# Dimensional Drawings

## WDS - 30000 mm

Wire draw box WDS-30000-P200, 30.0 m, 200 mm

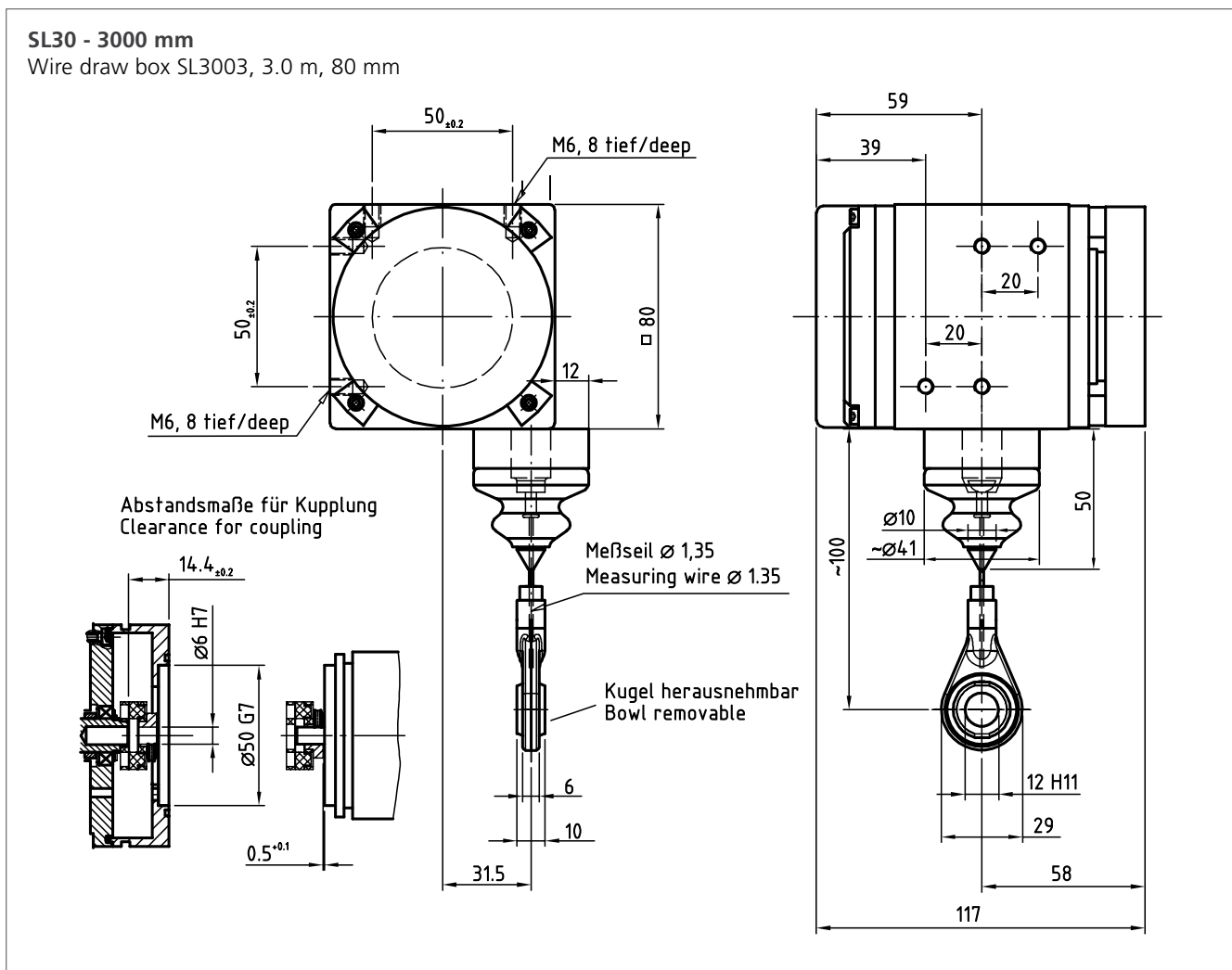


## Dimensional Drawings

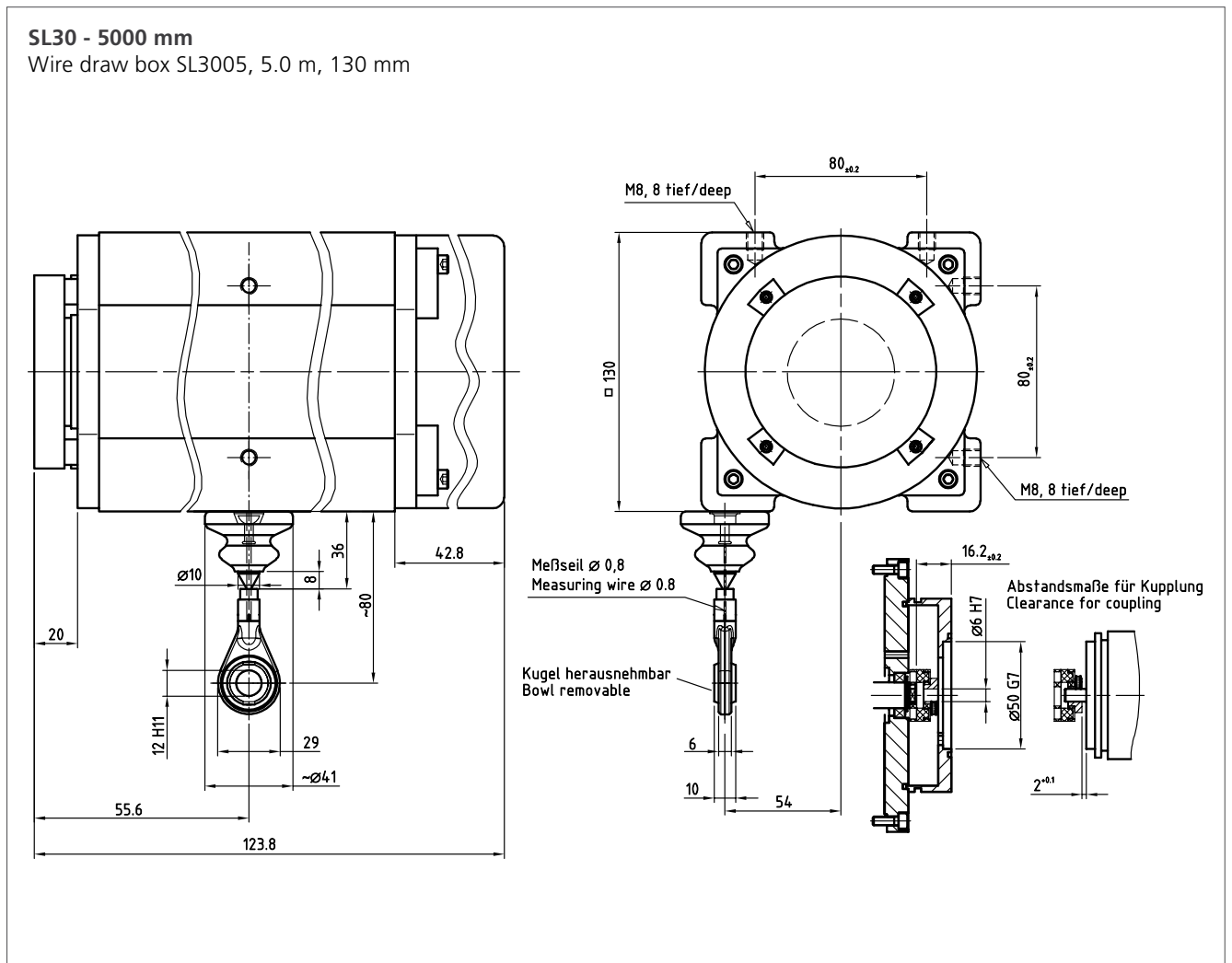




# Dimensional Drawings



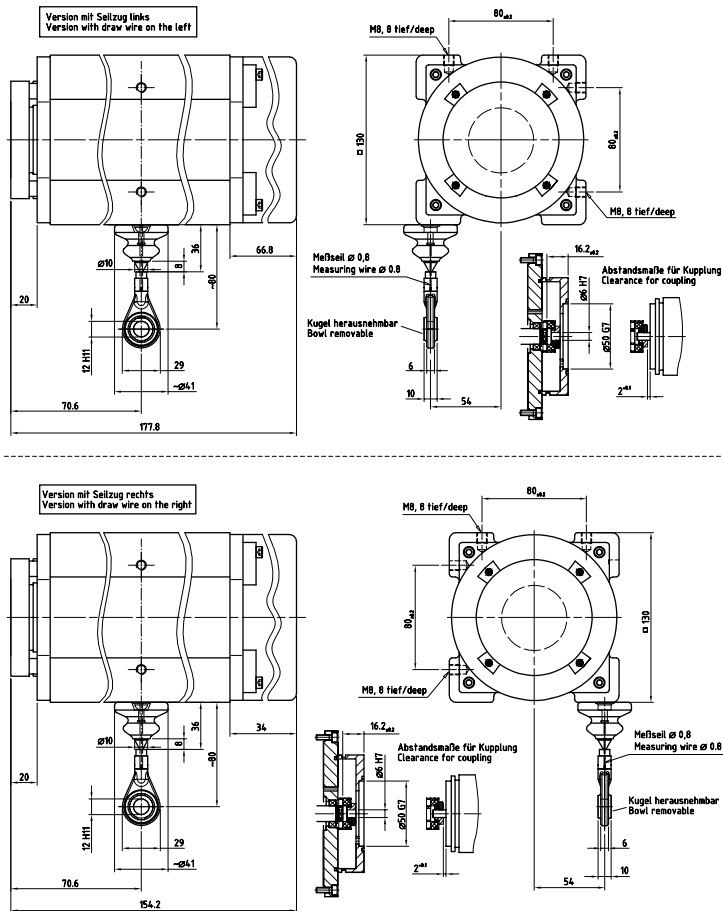
# Dimensional Drawings



# Dimensional Drawings

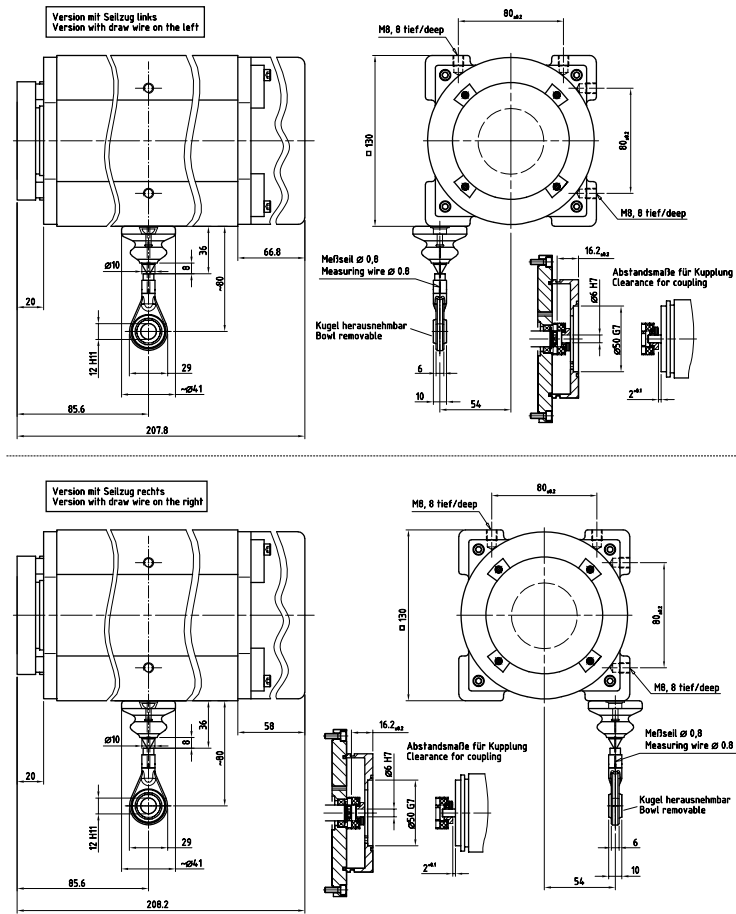
## SL30 - 10000 mm

Wire draw box SL3010, 10.0 m, 130 mm



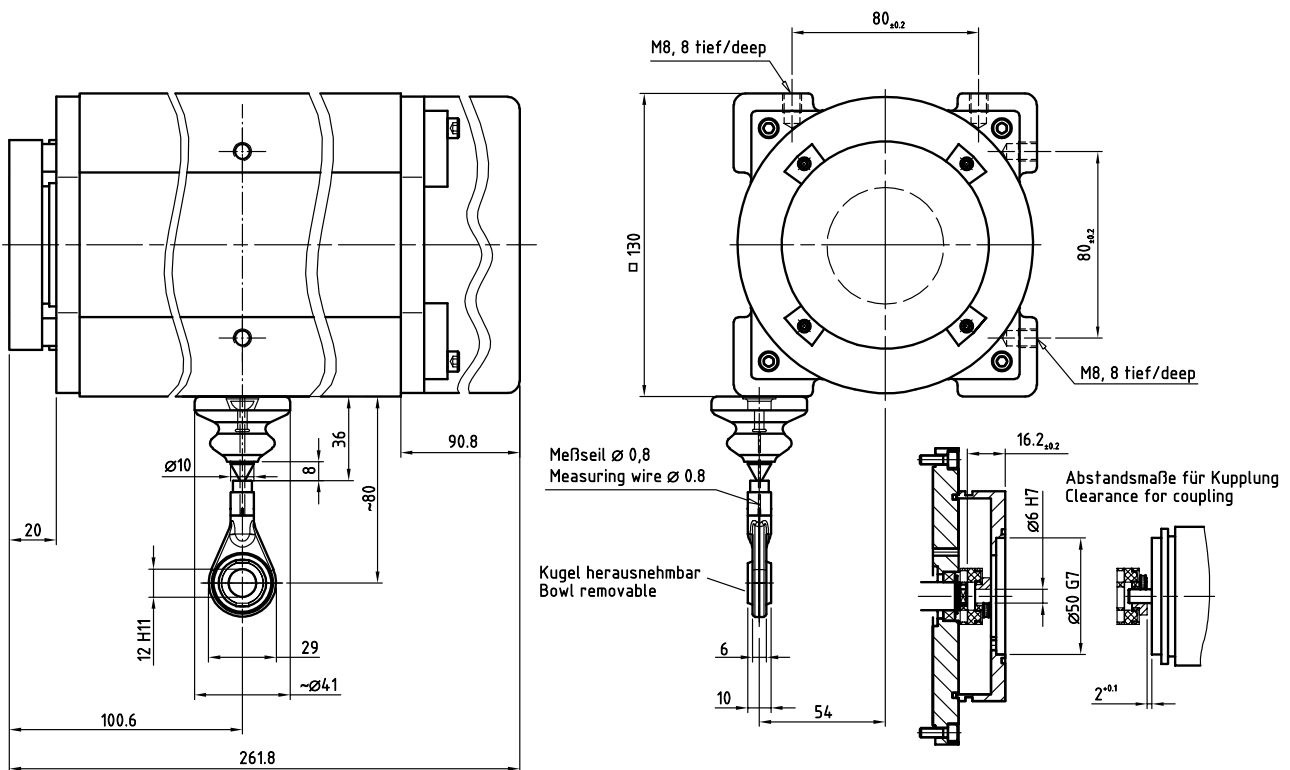
# Dimensional Drawings

**SL30 - 15000 mm**  
Wire draw box SL3015, 15.0 m, 130 mm



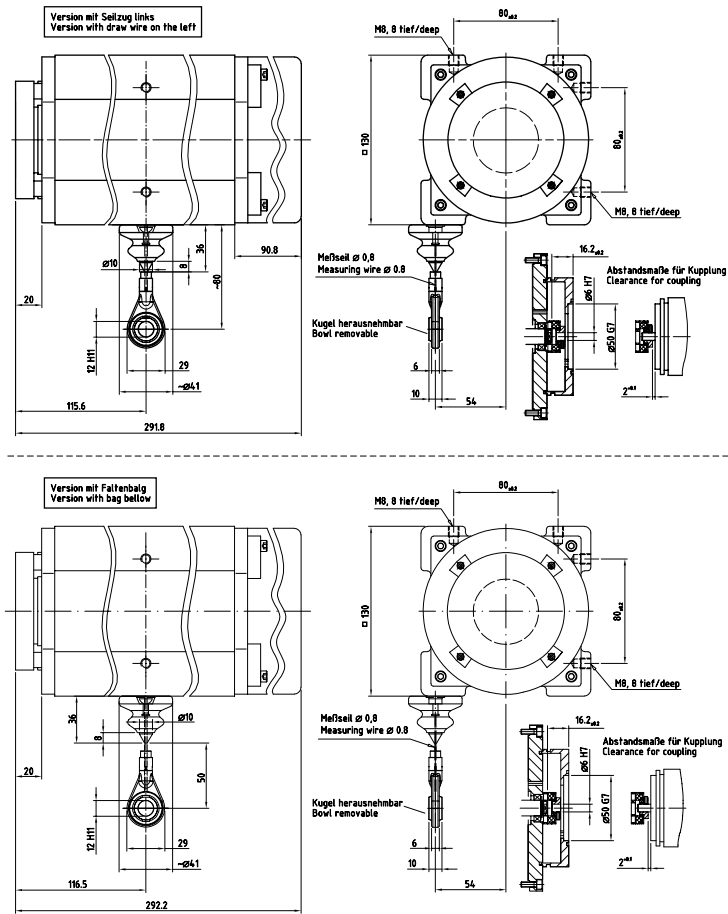
# Dimensional Drawings

**SL30 - 20000 mm**  
Wire draw box SL3020, 20.0 m, 130 mm



# Dimensional Drawings

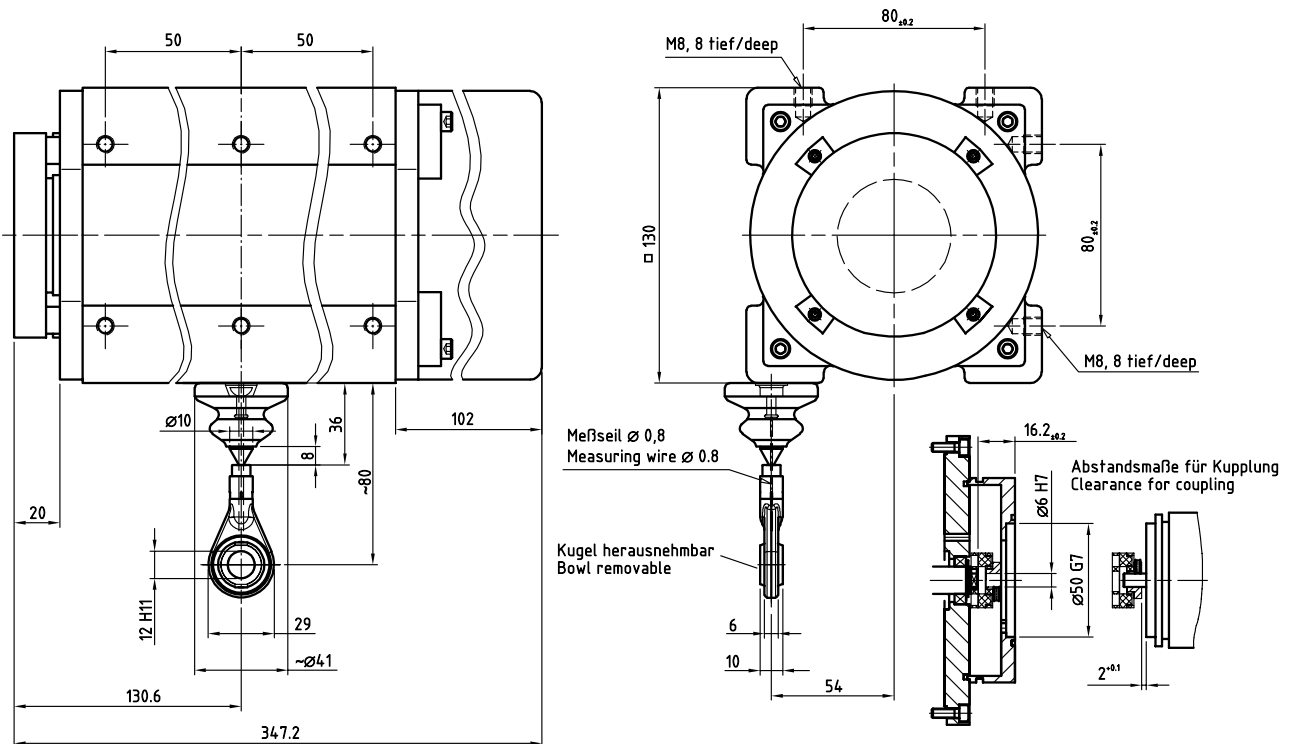
**SL30 - 25000 mm**  
Wire draw box SL3025, 25.0 m, 130 mm



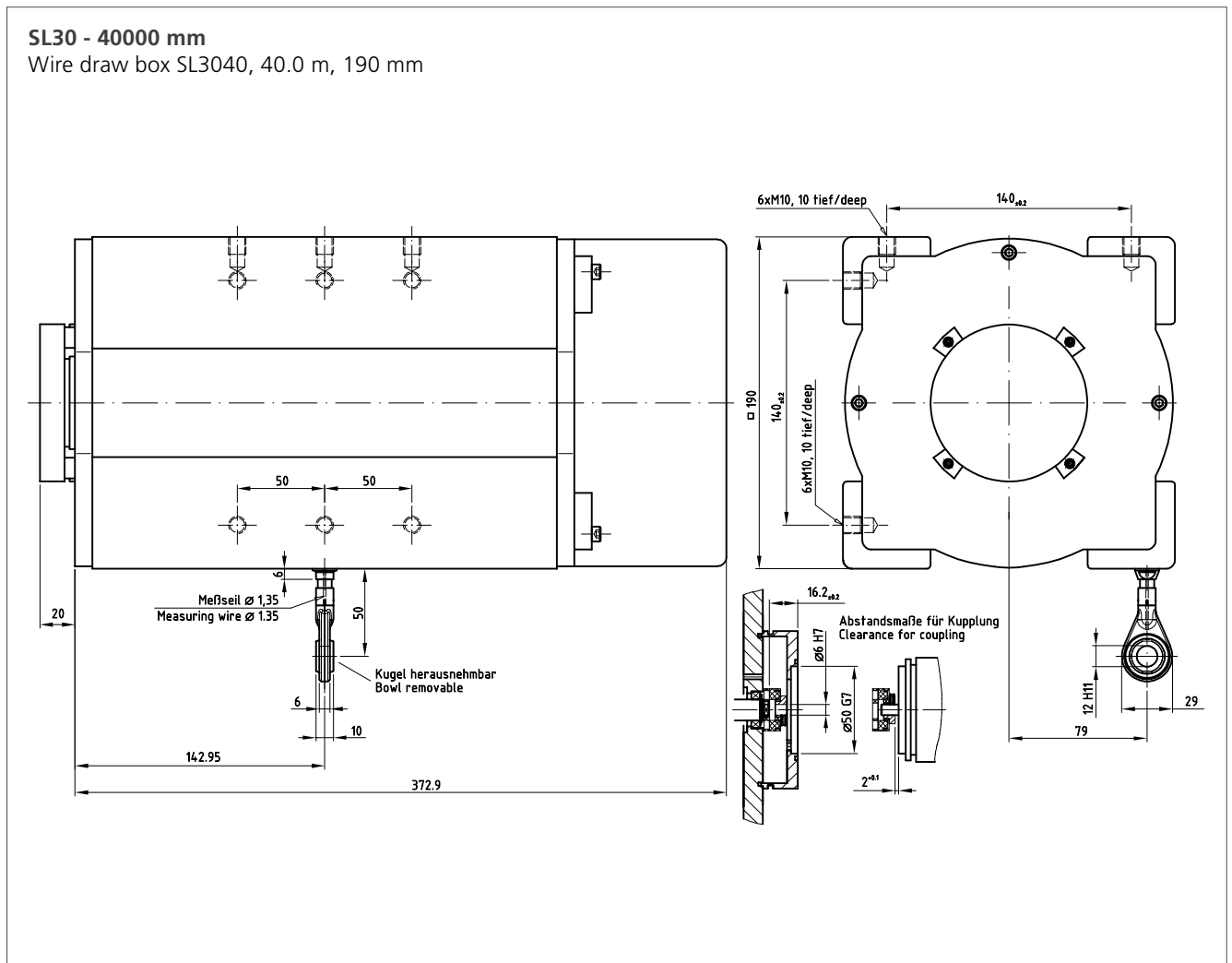
# Dimensional Drawings

## SL30 - 30000 mm

Wire draw box SL3030, 30.0 m, 130 mm



# Dimensional Drawings

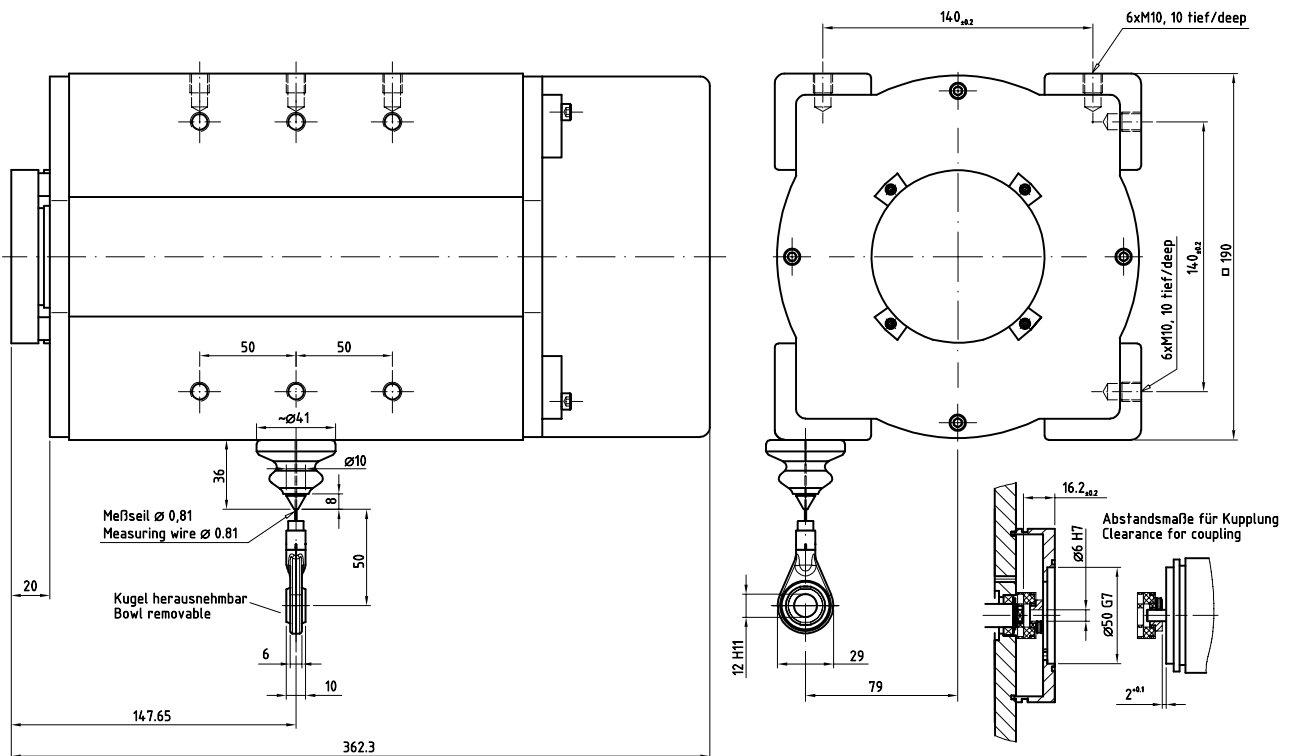




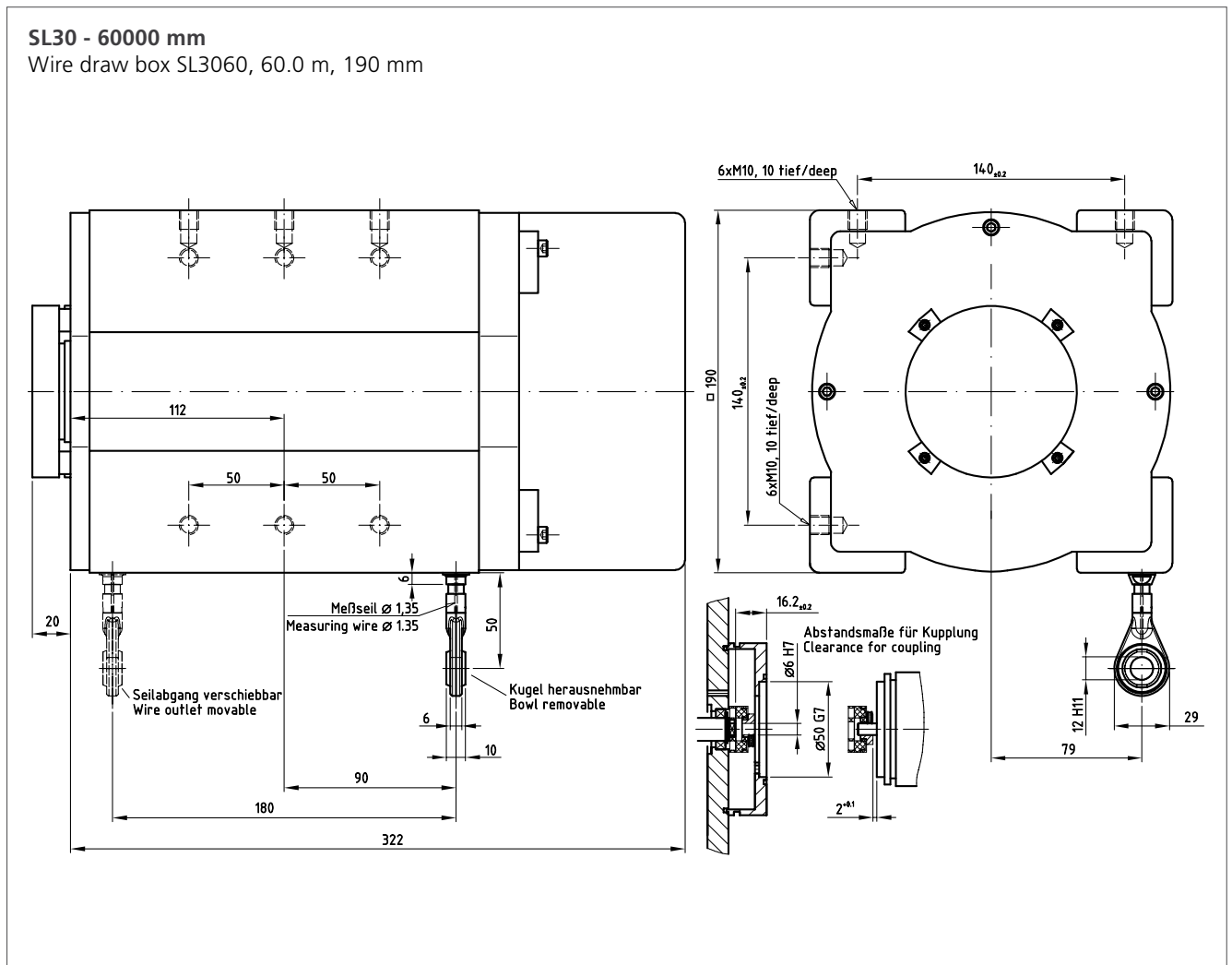
# Dimensional Drawings

## SL30 - 50000 mm

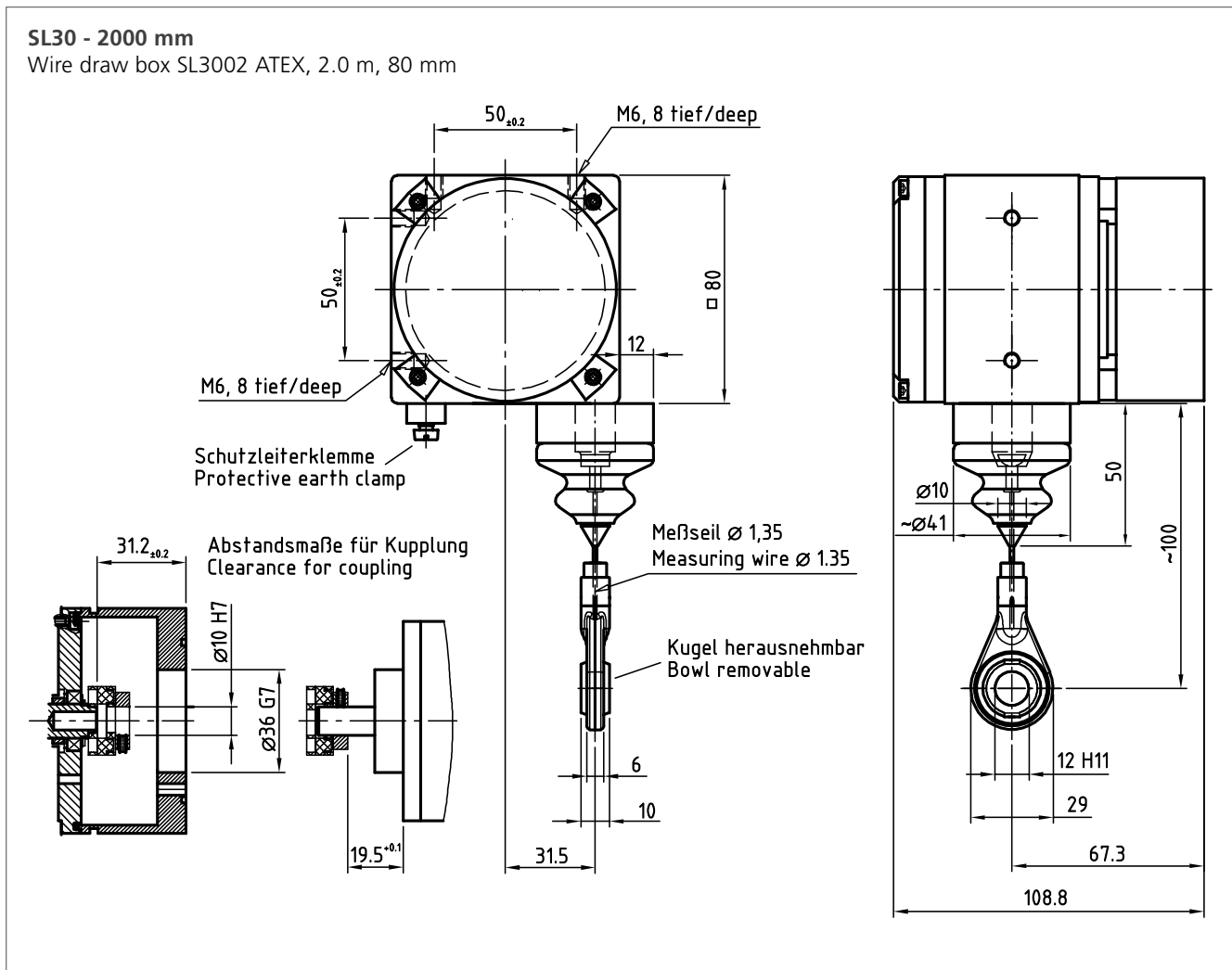
Wire draw box SL3050, 50.0 m, 190 mm



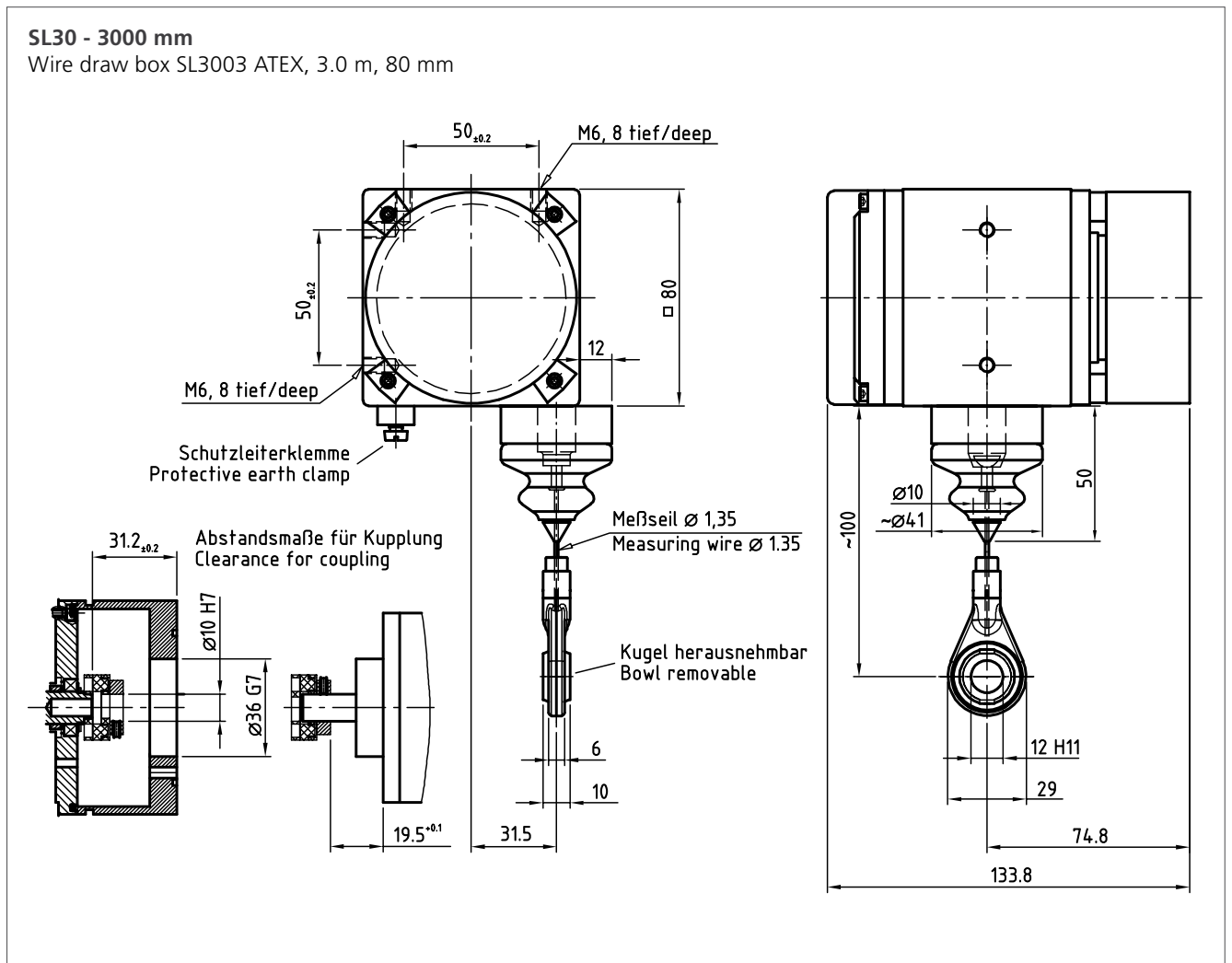
# Dimensional Drawings



# Dimensional Drawings



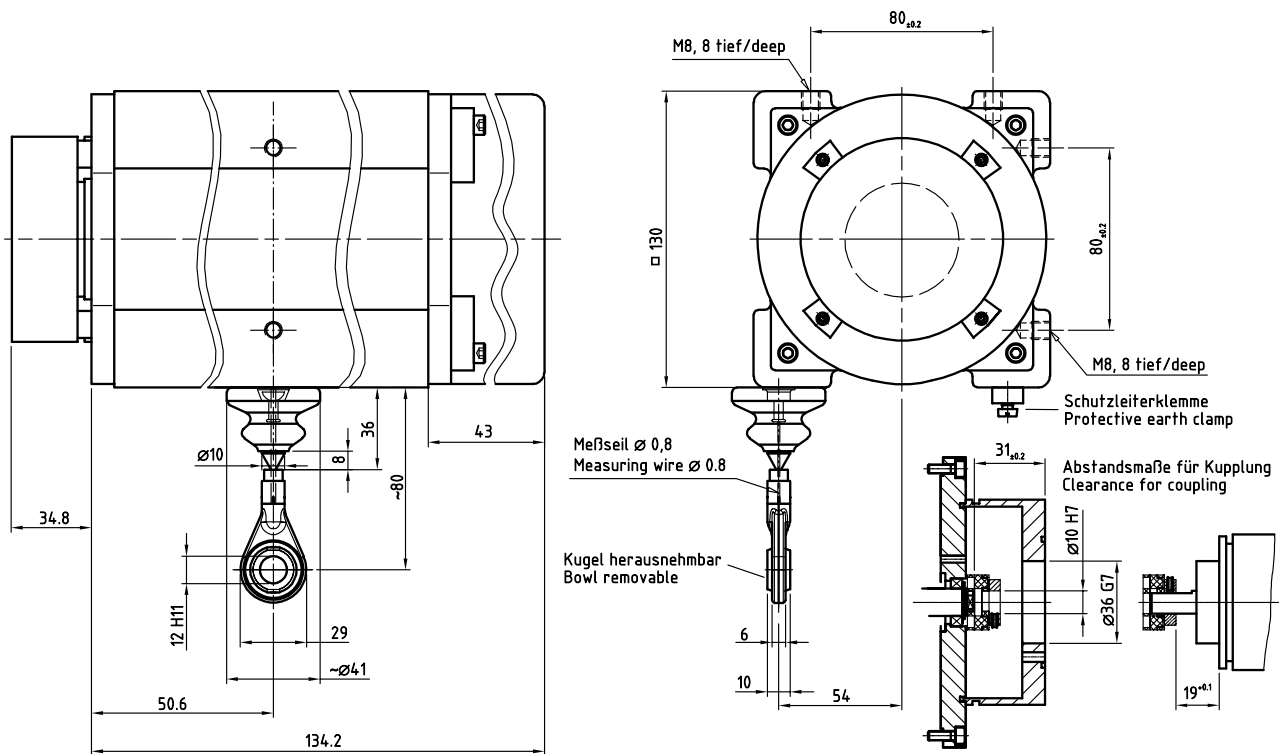
# Dimensional Drawings



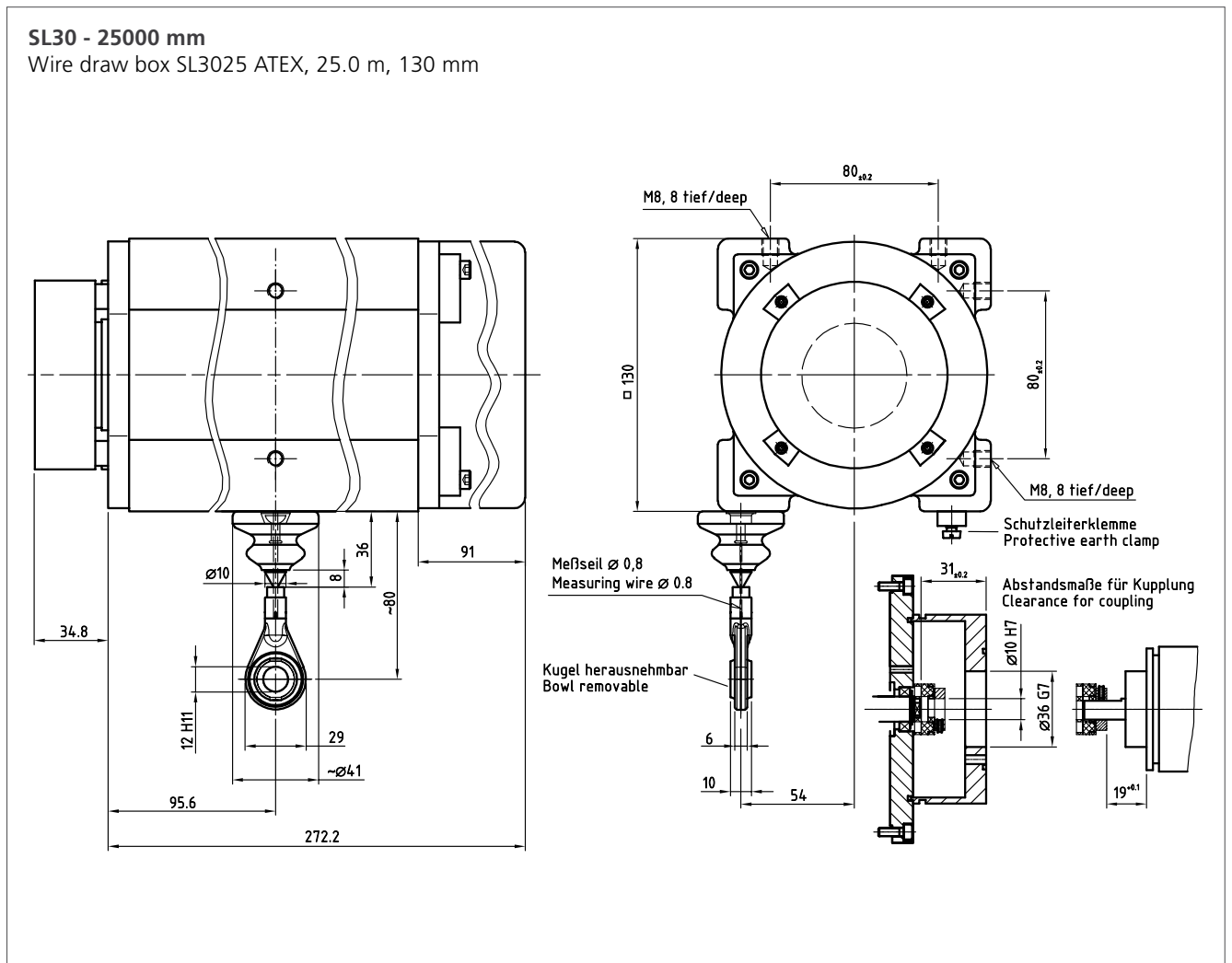
# Dimensional Drawings

## SL30 - 10000 mm

Wire draw box SL3010 ATEX, 10.0 m, 130 mm

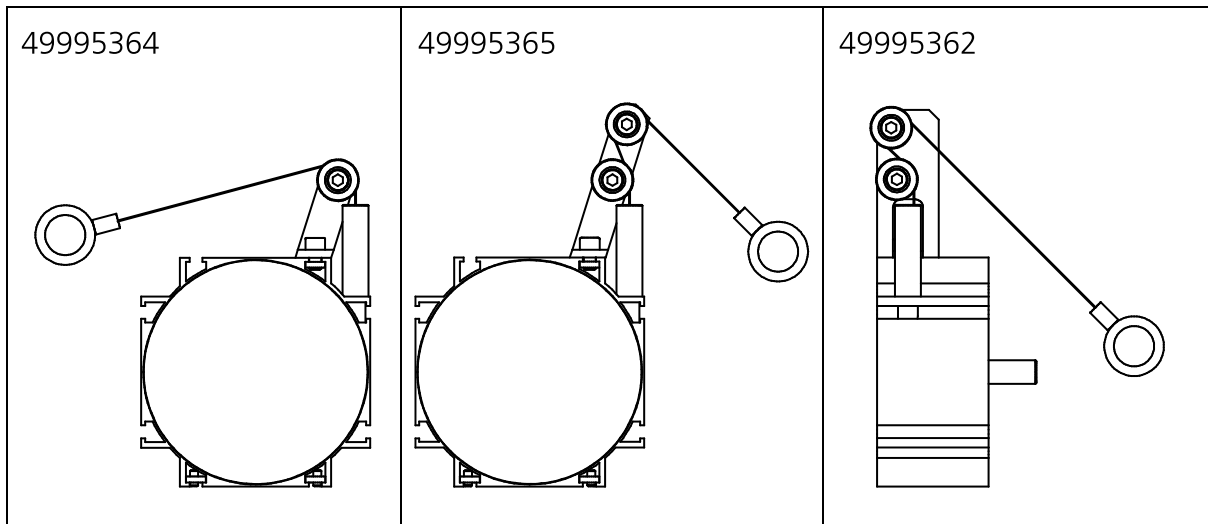


# Dimensional Drawings

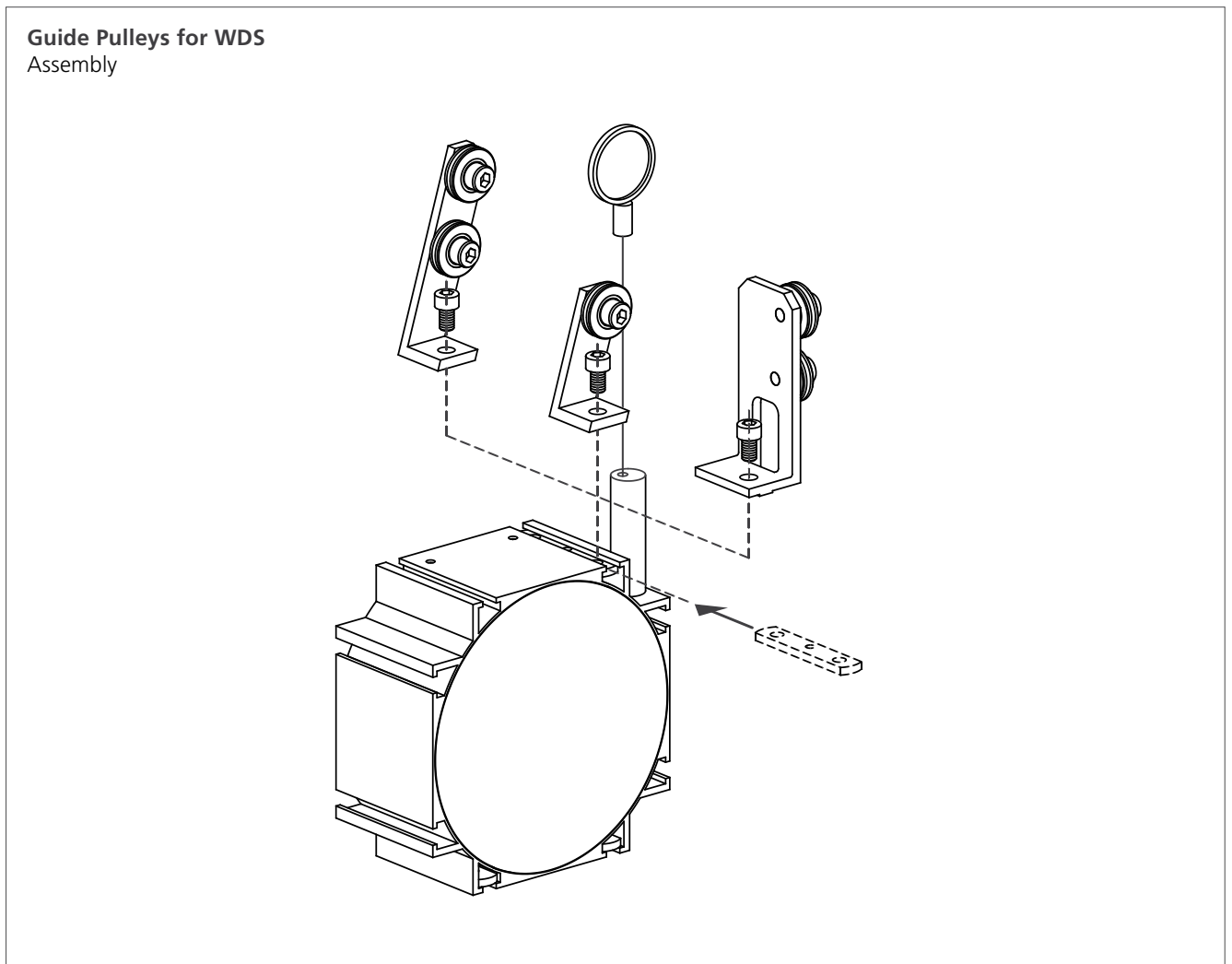


# Dimensional Drawings

## Guide Pulleys for WDS Types



## Dimensional Drawings







---

# Headquarter

TR-Electronic GmbH  
Eglishalde 6

D-78647 Trossingen  
Germany

Tel.: +49/7425 228-0  
Fax: +49/7425 228-33

info@tr-electronic.de  
www.tr-electronic.de

---

## International

### Argentina

AEA Aparatos Eléctricos  
Automáticos  
S.A.C.I.E./Asunción 2130  
AR-1419 Buenos Aires  
Tel.: +54/11 - 4574 1155  
Fax: +54/11 - 4574 2400  
servicioalcliente@aea.com.ar  
www.aea.com.ar

### Brazil

Grupo C+ Tecnologia  
Rua dos Caetés  
601 - Perdizes  
BR - São Paulo – SP  
CEP-05016-081  
Tel.: +55/11-2168 6554  
Fax: +55/11-2168 6555  
info@ctecnologia.com.br  
www.ctecnologia.com.br

### Denmark

TR-Electronic Danmark ApS  
Hustedgårdvej 22  
DK-8722 Hedensted  
Tel.: +45/75 89 06 03  
Fax: +45/75 89 06 36  
cbj@tr-electronic.dk  
www.tr-electronic.dk

### India

Global-Tech (India) Pvt Ltd  
404 White House  
1482 Sadashiv Peth  
IND-Tilak Road, Pune - 411 030  
Tel.: +91/20- 2447 00 85  
Fax: +91/20- 2447 00 86  
info@globaltechindia.com  
www.globaltechindia.com

### Australia

Sensor Measurement Pty Ltd.  
Unit 8/26 Shields Crescent  
P.O. Box 1079  
AU-Booragoon  
Western Australia 6154  
Tel.: +61/8-93 17 25 52  
Fax: +61/8-93 17 24 52  
sales  
@sensormeasurement.com.au  
www.sensormeasurement.com.au

### Canada

TR Electronic  
P.O. Box 2543, Station B  
CDN-London, Ontario Canada  
N6A 4G9  
Tel.: +1/519-452 1999  
Fax: +1/519-452 1177  
customercare@trelectronic.com  
www.trelectronic.com

### Finland

Sarlin Oy Ab  
P.O. Box 750  
FI-00101 Helsinki  
Tel.: +358/10 - 550 4000  
Fax: +358/10 - 550 4201  
info@sarlin.com  
www.sarlin.com

### Israel

Dor Engineering  
P.O.Box 6  
ISR-4880500 Kibutz Einat  
Tel.: +972/3 9007595  
Fax: +972/3 9007599  
info@doreng.co.il  
www.doreng.co.il

### Austria

TR-Electronic GmbH  
Tragösserstraße 117  
A-8600 Bruck/Mur  
Tel.: +43/3862–55006 0  
Fax: +43/3862–55006 33  
info@tr-electronic.at  
www.tr-electronic.at

### China

TR-Electronic (Beijing) CO., LTD.  
Rm. 1302, Side A, Lucky Tower  
No. 3 Dongsanhuan North Road  
Chaoyang District  
CN-100027 Beijing, P.R. China  
Tel.: +86/10 - 646 131 96  
Fax: +86/10 - 646 135 51  
lu.yu@tr-electronic.de  
www.tr-electronic.com.cn

### France

TR-Electronic France SARL  
1 Av. Christian Doppler  
Bâtiment 2  
F-77700 Serris  
Tel.: +33/1-64 63 68 68  
Fax: +33/1-61 10 17 66  
info@tr-electronic.fr  
www.tr-electronic.fr

### Italy

Telestar S.r.l.  
Via Novara, 35  
I-28010 Vaprio D'Agogna (NO)  
Tel.: +39/03-21 966 768  
Fax: +39/03-21 996 281  
telestar@telestar-automation.it  
www.telestar-automation.it

### Belgium

Martek SPRL - BVBA  
Avenue René Comhaire 82  
BE-1082 Bruxelles  
Tel.: +32/24 67 00 40  
Fax: +32/24 67 00 49  
info@martek.be  
www.martek.be

### Czech Republic, Slovakia

DEL a.s.  
Strojírenská 38  
CZ-59101 Žďár nad Sázavou  
Tel.: +420/566 657 100  
Fax: +420/566 621 657  
zastoupeni.tr@del.cz  
www.del.cz

### Great Britain

TR-Electronic Limited  
4 William House, Old St.  
Michaels Drive, Braintree  
GB-Essex CM7 2AA  
Tel.: +44/1 371-876 187  
Fax: +44/1 371-876 287  
info@tr-electronic.co.uk  
www.tr-electronic.co.uk

### Japan

SANTEST CO. LTD.  
1-60 Tsuneyoshi, 1-Chome  
Konohanaku  
J-Osaka 554-8691  
Tel.: +81/6-6465 5561  
Fax: +81/6-6465 5921  
info@santest.co.jp  
www.santest.co.jp

**Mexico**

TR Electronic  
P.O. Box 2543, Station B  
CDN-London, Ontario Canada  
N6A 4G9  
Tel.: +1/519-452 1999  
Fax: +1/519-452 1177  
customer@trelectronic.com  
www.trelectronic.com

**Russia**

Sensotec LLC  
Bolshoy Ovchinnikovskiy. per.16,  
off. 508  
RU-115184 Moscow  
Tel.: +7/495-797-12-54  
Fax: +7/495-797-12-24  
info@sensotek.ru  
www.sensotek.ru

**Sweden**

TR Electronic Sweden AB  
Djupdalsvägen 10  
S-192 51 Sollentuna  
Tel.: +46/8-756 72 20  
Fax: +46/8-756 76 80  
mailbox@trelectronic.se  
www.trelectronic.se

**USA (TR-Electronic)**

TR Electronic  
P.O. Box 4448  
US-Troy, MI 48099  
Tel.: +1/248-244-2280  
Fax: +1/248-244-2283  
customer@trelectronic.com  
www.trelectronic.com

**Netherlands**

TR-Electronic Nederland BV  
Postbus 1682  
NL-6201 BR Maastricht  
Tel.: +31/43 352 3614  
Fax: +31/43 352 3555  
info@tr-electronic.nl  
www.tr-electronic.nl

**Singapore**

Globaltec Electronics  
(Far East) Pte. Ltd.  
50 Bukit Batok Street 23  
#06-27 Midview Building  
SIN-659578 Singapore  
Tel.: +65/6267 9188  
Fax: +65/6267 8011  
info@globaltec.com.sg  
www.globaltec.com.sg

**Switzerland**

TR-Electronic SA  
14, Ch. Pré-Fleuri  
CH-1228 Plan-les-Ouates/Genève  
Tel.: +41/22-7 94 21 50  
Fax: +41/22-7 94 21 71  
info@tr-electronic.ch  
www.tr-electronic.ch

**USA (TRsystems)**

TRS Fieldbus Systems, Inc.  
666 Baldwin Court  
US-Birmingham, MI 48009  
Tel.: +1/586 826-9696  
Fax: +1/586 826-9697  
support@trs-fieldbus.com  
www.trs-fieldbus.com  
trthailand@trelectronic.co.th  
www.trelectronic.co.th

**Norway**

TR Electronic Norway AS  
Fusdal Terrasse 3  
N-1387 Asker  
Tel.: +46 708 696 533  
Fax: +46 875 676 80  
info@trelectronic.no  
www.trelectronic.no

**Slovenia**

S.M.M. d.o.o.  
Jaskova 18  
SI-2001 Maribor  
Tel.: +386/2450 2300  
Fax: +386/2450 2302  
smm@siol.net  
www.smm.si

**Taiwan**

TR-Electronic (Beijing) CO., LTD.  
Rm. 1302, Side A, Lucky Tower  
No. 3 Dongsanhuan North Road  
Chaoyang District  
CN-100027 Beijing, P.R. China  
Tel.: +86/10 - 646 131 96  
Fax: +86/10 - 646 135 51  
lu.yu@tr-electronic.de  
www.tr-electronic.com.cn

**Poland**

Stoltronic-Polska Sp. z o.o.  
ul. Dabrowskiego 238C  
PL - 93-231 Lodz  
Tel.: +48/42-649 12 15  
Fax: +48/42-649 11 08  
stoltronic@stoltronic.pl  
www.stoltronic.pl

**South Africa**

Angstrom Engineering (Pty) Ltd.  
19 Tom Muller Road  
P.O. Box 793  
SA-Meyerton 1960  
Tel.: +27/16 3620300  
Fax: +27/16 3620725  
info@angstromeng.co.za  
www.angstromeng.co.za

**Thailand**

T+R Electronic (Thailand) Co., Ltd.  
120/62 Moo 8 Bang Sare  
TH - Sattahip, Chonburi 20250  
Tel.: +66/38 737 487  
Fax: +66/38 737 171  
trthailand@trelectronic.co.th  
www.trelectronic.co.th

**Republic of Korea**

MS Intech Co., Ltd.  
B-306, Gasan Digital 1 Ro 119  
Keumcheon-Gu  
KOR-Seoul  
Tel.: +82/2-334 0577  
Fax: +82/2-862 1591  
sales@msintech.com  
www.msintech.com

**Spain, Portugal**

Intertronic Internacional, SL  
C/Johannes Gutenberg, 4 y 6  
P.I. Parque Tecnológico  
E-46980 Valencia  
Tel.: +34/96-375 8050  
Fax: +34/96-375 1022  
info@intertronic.es  
www.intertronic.es

**Turkey**

ÜNİVERSA İÇ ve DİŞ TİC.  
MAK. SAN. LTD. ŞTİ.  
Cemal Gürsel Caddesi  
No: 11 D: 7  
TR-35600 Karsiyaka-İZMİR  
Tel.: +90/232 382 23 14  
Fax: +90/232 382 23 24  
info@universa.com.tr  
www.universa.com.tr

**TR-Electronic GmbH**

Eglishalde 6

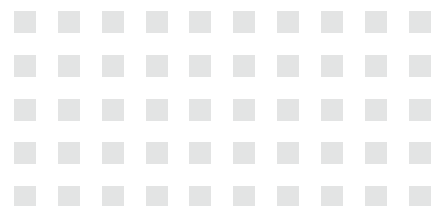
D - 78647 Trossingen

Tel. +49 7425 228-0

Fax +49 7425 228-33

info@tr-electronic.de

[www.tr-electronic.de](http://www.tr-electronic.de)



Last update: April 2015

68-105-115 - TR-V-PR-GB-0020-00

Subject to technology and design modifications.

Cover photo background: ©kras99-fotolia.com