

Incremental Rotary Encoder OD 40 dia. (hollow-shaft model)

E6H-C

Hollow Shaft Without Coupling Compact, High Resolution General Model

- A wide operating voltage range from 5 to 24 VDC (open collector model).
- Resolution as high as 3,600 pulses/revolution in a rugged 40 mm (1.57 inch) diameter housing
- High-speed response frequency of 100kHz
- Wide operating temperature range from -10 to +70°C
- Line drive output available (100 m max.)
- Shock resistance strengthened by metal disk. (200 P/R max.) (Patent)



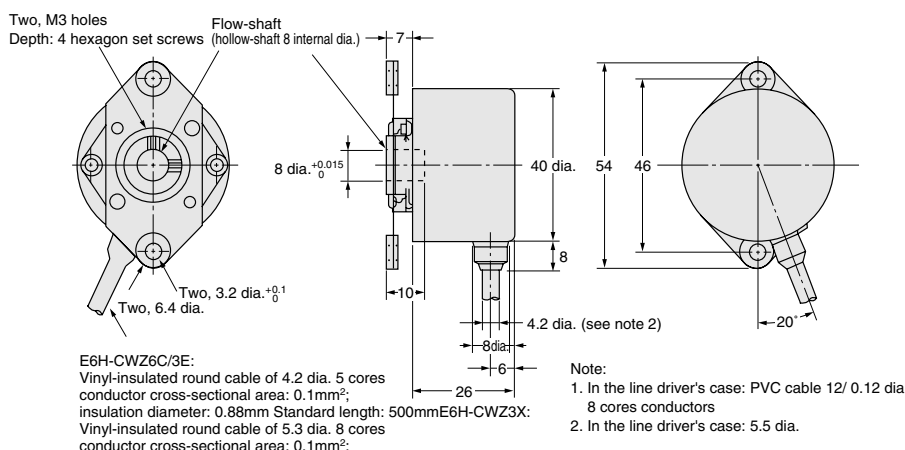
Ordering Information

Supply voltage	Output form	Resolution (pulse/rotation)	Model
5 to 24 VDC	Open collector output	300, 360, 500, 600, 720, 800, 1,000, 1,024	E6H-CWZ6C
		1,200, 1,500, 1,800, 2,000, 2,048	
		2,500, 3,600	
5 to 12 VDC	Voltage output	300, 360, 500, 600, 720, 800, 1,000, 1,024	E6H-CWZ3E
		1,200, 1,500, 1,800, 2,000, 2,048	
		2,500, 3,600	
5 to 12 VDC	Line drive output	300, 360, 500, 600, 720, 800, 1,000, 1,024	E6H-CWZ3X
		1,200, 1,500, 1,800, 2,000, 2,048	
		2,500, 3,600	

Note: For order placement add the resolution (pulses per revolution) after the part number. For example, E6H-CWZ6C 1000P/R.

Dimensions (Unit: mm)

E6H-C



ALL DIMENSIONS SHOWN ARE IN MILLIMETERS.

To convert millimeters into inches, multiply by 0.03937. To convert grams into ounces, multiply by 0.03527.